

PREVECTRON 3[®] S40 CONNECT

EARLY STREAMER EMISSION AIR TERMINAL (ESE)

IoT CONNECTED

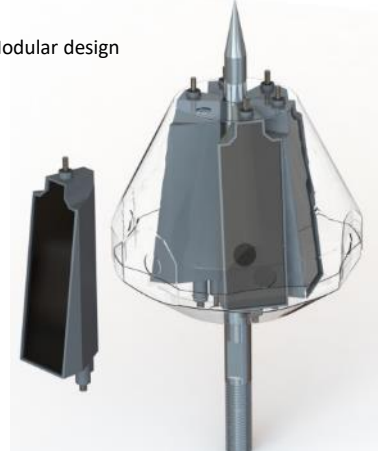
Reference	P1623C / P1723C (depending on installation location)	
Prevectron 3[®] Early Streamer Emission Technical Specifications		
Efficiency	ΔT	40 μs
Standard deviation ESE / Single Rod	σ	$\sigma_{PDA} < 0.57 \sigma_{PTS}$
Lightning current withstanding test (10/350 μs)	I_{imp}	100kA (normative test)
Max. current withstanding test	I_{max}	230 kA (Unicamp)
Detection of downward leader	Continuous measuring of electric field gradient ($\Delta E/\Delta t$)	
Upward streamer development conditions	Patented OPTIMAX [®] technology optimizing the streamer development conditions	
Upward streamer emission	Sparking by High Voltage Impulses	
Internal circuits	3 independent and synchronised modules	
Central rod	Full electrical continuity 200mm ² section – Nickel plated Copper	
Metal housing	Stainless Steel 316, Electromagnetic shielding	
Maintenance	Replaceable modules (factory)	

Prevectron 3[®] Connect Module Technical Specifications	
Prevectron [®] 3 Connect remote information	via www.indelec-connect.com : -ESE Lightning rod status -battery level -GSM signal quality
Communication	GSM/GPRS Quad-Band compatible 2G and above
Power Supply	High Performance LiFePo ₄ Battery 3 200mA.h – 3.2V
Battery Charge	Monocrystalline Glass-coated Solar panel
Lightning Strike Counter	Integrated Type 1 Lightning Strike Counter Patented contactless counting technology $I_{imp\ min} = 2kA$ $I_{imp\ max} = 100kA$
Module central rod	Full electrical continuity 200mm ² section – Nickel plated Copper
Module / Prevectron [®] 3 connection	Fast Connect Technology Plug-in system
Maintenance	Battery Replacement Kit ref. P1599

PREVECTRON 3[®] S40 CONNECT



Modular design



CONNECT MODULE



DOC283a_VEN-Rev2



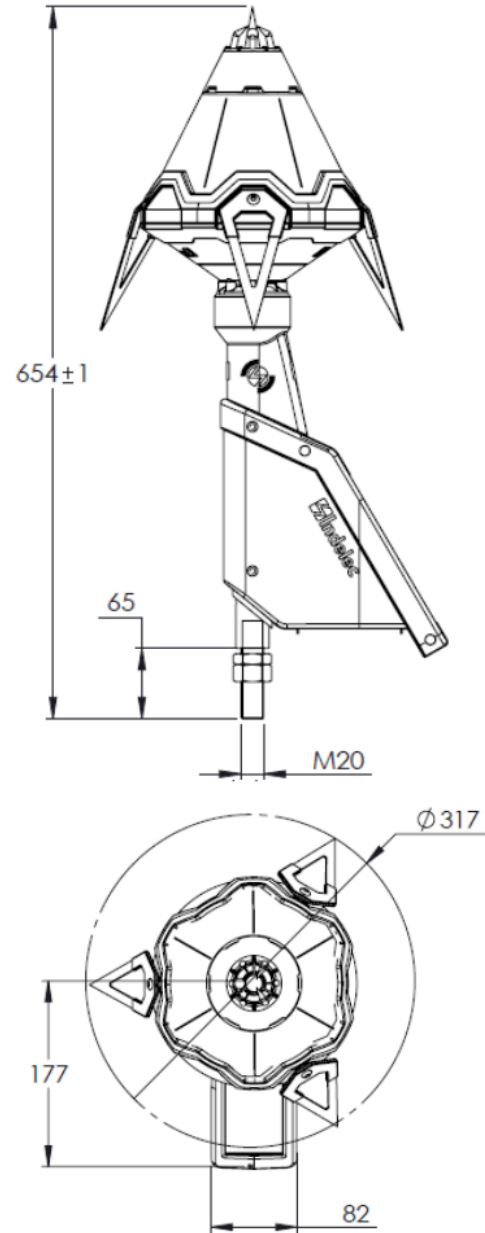
PREVECTRON 3[®] S40 CONNECT

EARLY STREAMER EMISSION AIR TERMINAL (ESE)

IoT CONNECTED

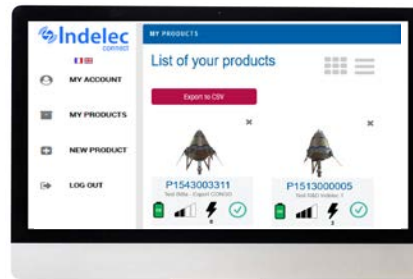
Operating Temperature range	-15°C to + 55°C
Relative Humidity	0% HR to 100% HR
Max. Operating Altitude	4000 m HASL (Height Above Sea Level)
Ingress Protection	IP 54
Fixing on pole	M20 Thread
Down-conductor clamp	Proprietary clamp included
Packing	
Dimensions	485 x 260 x 429 mm
Gross Weight	7.750 kg
Warranty	
Warranty (excluding battery)	5 years
Certifications - Standard	
Prevectron [®] 3 Lightning Rod	NF C 17 102:2011, Annexe C Bureau Veritas Certificate N°6275241/2/1/3
Lightning Strike Counter	NF EN 62 561-6:2018 Edition 2
Qualifoudre	Ineris Certificate N° N°051166662001
CE Marking	Attestation N°IND-CE-21092015-C (Prevectron 3) Attestation N°IND-CE-16122020 (Module Connect)
Underwriter Laboratories (UL)	UL Certified E478687 (Prevectron [®] 3 Lightning rod)
Eco Label	Certificate AFAQ N°1335.2 11/2014
ISO 9001 : 2015	Bureau Veritas Certificate

Dimensions (mm)



Installation and user guide
ref. C4207A

PREVECTRON 3[®] S40 CONNECT



www.indelec-connect.com



©INDELEC SA – 61 Chemin des postes F59500 DOUAI - Tel +33 327 944 944
www.indelec.com



Non contractual document - INDELEC reserves the right to modify its product design, dimensions, weight as well as the illustrations without prior notice.