

Low Intensity LED SOLBIB Type B > 32 Cd – Solar TWINY



Description:

Le SOLBIB TWINY is an environmentally friendly system, equipped with the exclusive redundant system.

For security installation, its automatic test is launched every day. Dedicated to an autonomous night beaconing, it is long life system (100 000 hours), more than 40 hour autonomy system.

The SOLBIB TWINY is also available with a 110-240V input as back-up power supply.

Le SOLBIB TWINY is provided with photocell for an automatic switch ON/OFF and a dry contact for failure alarm.

The specific design of the box is the most convenient solution on the market for installation: mounting frame is a part of the box and it could be adjusted in vertical or horizontal position.

Advantages :

- Long life time > 10 years
- Multi – LEDs
- Independant
- Lightning protection
- Exclusive self-test included with photocell
- Power saving
- 2 years warrant
- Zamac box with epoxy powder painting

-Applications :

Rules concerning aircraft beaconing are established by the ICAO

Low intensity beacons can be installed on structures up to 45 meters high.

The SOLEO gives security to every sites, even the most isolated.

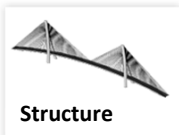
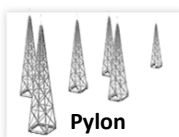
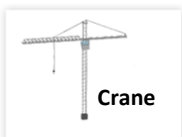
Models

Model	Voltage	Photocell	Dry contact
SOLBIBTW	Solar	Included	Included

Regulations:

- OACI, STAC N° 2010A012
- CE
- FAA compliant

Scope of application:

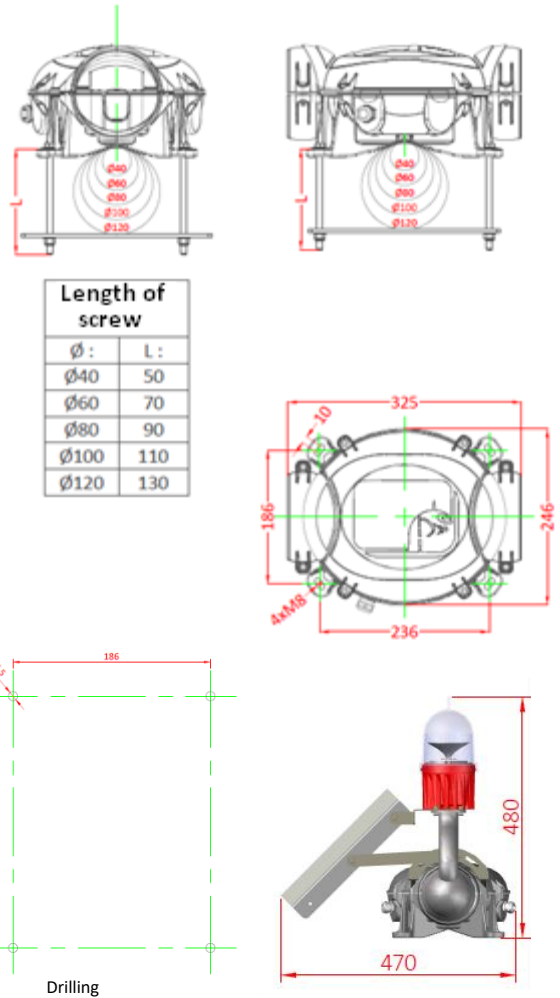


Low Intensity LED SOLBIB Type B > 32 Cd – Solar TWINY

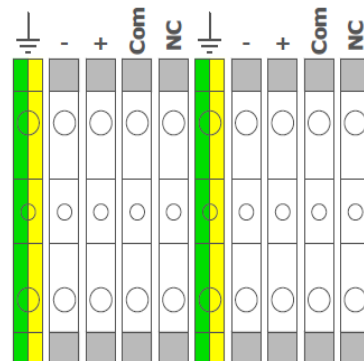
Characteristics

Luminous	
Luminous source	LEDs
Colour	Red
Horizontal beam	360°
Vertical beam	10°
Luminous intensity	>32 Cd
MTBF	100 000 Hours
Electrics	
Voltage	Solar
Lightning protection	Integrated
Functioning temperature	-55°C to +55°C
Solar panel	1*10 Watts Polycrystallin
Battery	Waterproof lead gel
Autonomy	12V 7Ah x 2
Protection class	IP66
Mechanicals	
Box material	Zamac
Body lamp material	Aluminum
Lens material	Polycarbonate with bird spike
Mounting	M8 screw
Height	425mm
Weight	<15 Kg
Solar panel dimensions	300mm x 385mm
Environment	
Humidity	100%
Gel	-60°C
Wind speed	240 Km/h
Certifications	
CE	EN60947-1 CEI60364, NF C15-100 EN60529
ICAO	Annexe 14, Volume I, Chapter 6
Quality	ISO 9001 ; 2008
Warranty	2years

Dimensions :



Wiring



Power supply To next light

Available accessories for installation

-Specific stainless steel mounting