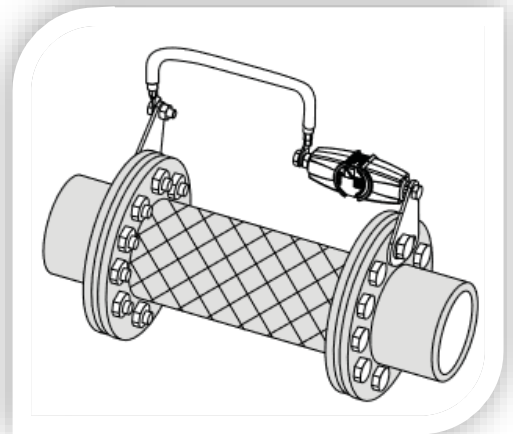
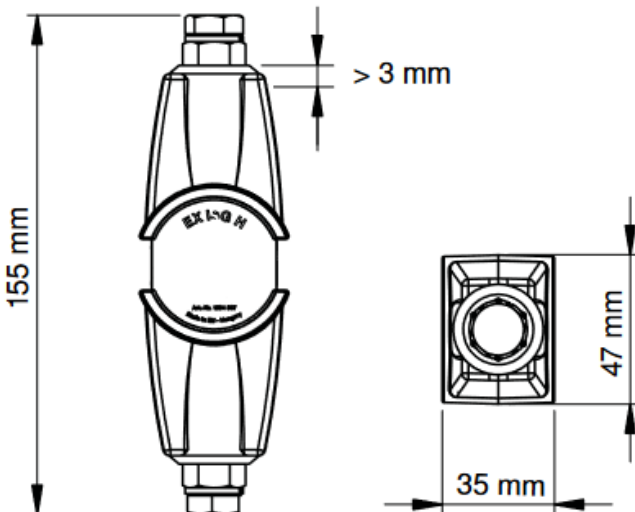


Isolating Spark Gap EX ISG H

Ref.	P8771
Application	In potentially explosive areas zones 1/21 and 2/22, indirect bridging of insulating flanges and insulating glands, e.g. in cathodic, corrosion protected (KKS) systems.
Lightning impulse current (10/350µs) Iimp	100 kA
ISG classification	H
Power frequency sparkover voltage	250 V (50Hz)
Lightning impulse sparkover voltage	1.25 kV
Operating temperature	-20°C ... +60°C
Degree of protection	IP 67
Housing	Hotmelt
Weight	0.414 kg
Standard	EN 62561-3



Dimensions (mm)



Application