

# Type 1 + 2 SPD

## DTR 255 C2 – 3Ph + N

### Designation

Part number

### Electrical characteristics

Technology

Number of pole

Network nominal voltage

Neutral configuration

Max. AC operating system

Temporary Over Voltage (TOV)

Temporary Over Voltage (TOV)

Leakage current

Follow current

Impulse current by pole

Max. withstand 10/350 $\mu$ s

Nominal discharge current

15 x 8/20 $\mu$ s impulses

Max. discharge current

Max. withstand @ 8/20 $\mu$ s

Max. discharge current

Max. withstand @ 8/20 $\mu$ s

Protection level (@In)

Admissible short-circuit current

DTR 255 C2

P84405H

MOV

04 poles 3Ph + N

230 V

C2 mode

TT – TNS

225 Vac

355 Vac/5 s withstand

440 Vac/120mn disconnection

< 1 mA

None

12.5 kA

12.5 kA

100kA

50 kA

L/N: 1.3 kV, N/PE 1.5kV

25 000 A

### Associated disconnectors

Thermal disconnector

Fuses

Installation ground fault breaker

internal

Fuses type gG – 125 A max.

Type "S" or delayed

### Mechanical characteristics

Connection

Disconnection indicator

Remote signaling of disconnection

Mounting

Operating temperature

Ingress Protection

by screw :2.5-25mm<sup>2</sup> / by bus

mechanical indicator

output on changeover contact

DIN rail 35mm

-40°C /+85°C

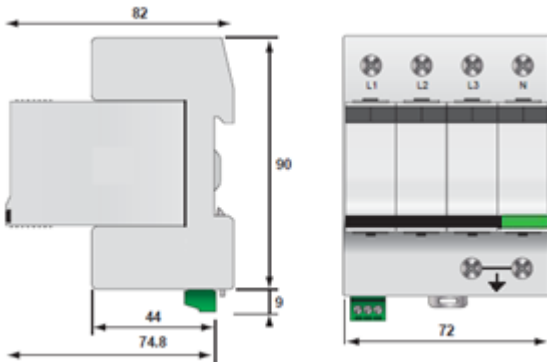
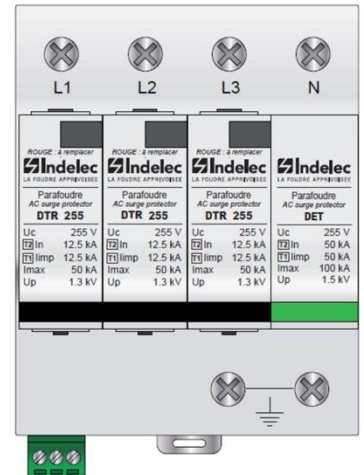
IP20

### Conformité aux normes

IEC 61 643-1 (Internationale) Low voltage SPD – test class I and II

EN 61 643-11 (Europe) Parafoudres basse tension – essais classe I et II

NF EN 61 643-11 (France) Parafoudres basse tension – essais classe I et II



GSG: Spark Gap

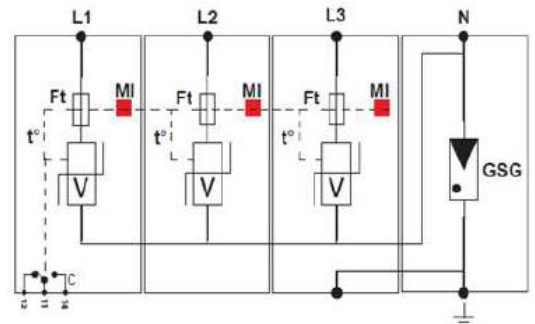
V: High energy MOV

MI: Disconnection indicator

Ft: Thermal fuse

t°: Thermal disconnection mechanism

C: Contact for remote signaling



Made  
In  
Safety

©INDELEC SA – 61 Chemin des postes DOUAI (FR) - Tel +33 327 944 952 - www.indelec.com

Indelec

Non contractual document - INDELEC reserves the right to modify its product design, dimensions, weight as well as the illustrations without prior notice.