

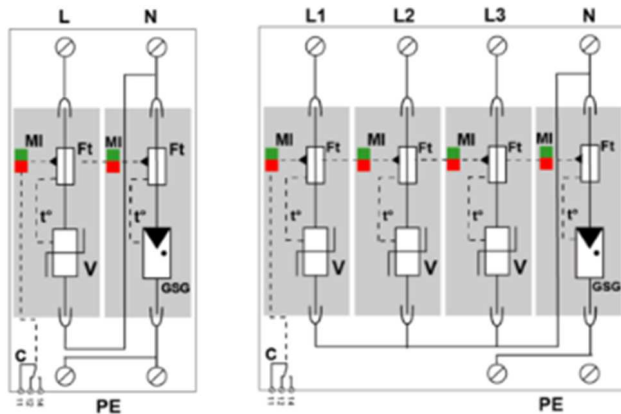
Type 2 SPD DGT2-275 (C2)

Designation	DGT2-275-11	DGT2-275-31
Part number	P8346	P8347
Electrical Characteristics		
SPD type	2 (or 3)	
Technology	MOV + GSG	
SPD Configuration	Single Phase	3Ph + N
Connection mode	C2 (1+1)	C2 (3+1)
Neutral configuration	TT - TNS	
Max. AC operating system	U_C	275 Vac
Temporary Over Voltage (TOV) 5sec.	U_T	335 Vac withstand
Temporary Over Voltage (TOV) 120 mn	U_T	440 Vac disconnection
Temporary Over Voltage N/PE (TOV HT)	U_T	1200 V/300A/200 ms withstand
Residual Current- Leakage current to Ground	I_{pe}	none
Follow current	I_f	none
Nominal discharge current 15 x 8/20 μ s impulses	I_n	20 kA
Max. discharge current Max. withstand @ 8/20 μ s	I_{max}	50 kA
Protection level L/N @ In 8/20 μ s	U_p L/N	1,25 kV
Protection level N/PE @ In 8/20 μ s	U_p N/PE	1,5 kV
Protection level L/N @ 5kA 8/20 μ s	U_p 5kA	1 kV
Protection level N/PE @ 5kA 8/20 μ s	U_p 5kA	1 kV
Admissible short-circuit current	I_{scrr}	50 000 A
Associated disconnectors		
Thermal disconnector	Internal	
Fuses	50 A min. - 125 A max. - Fuses Type gG	
Installation ground fault breaker	Type "S" or delayed	
Mechanical Characteristics		
Connection to Network	By screw: 2.5-25mm ² (35mm ² rigid)	
Format	Plug-in modular box	
Mounting	Symmetrical rail 35 mm (EN 60715)	
Housing material	Thermoplastic UL94 V-0	
Operating temperature	T_u	-40°C /+85°C
Protection rating	IP20	
Failsafe mode	Disconnection from AC network	
Disconnection indicator	Mechanical Indicator	
Spare module(s)	yes	
Remote signaling of disconnection	Output on changeover contact	
Dimensions EN43880 (see diagram in mm)	2TE	4TE
Conformité aux normes	IEC 61643-11 / NF EN 61643-11	

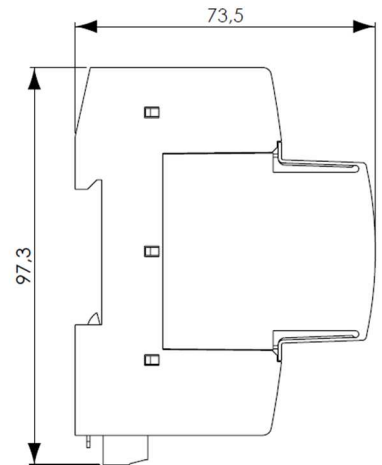
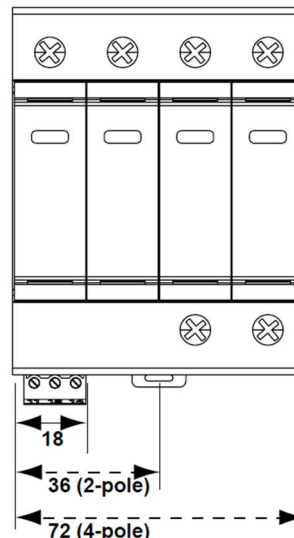
DGT2-275-11



DGT2-275-31



V : High-energy varistor
 GSG : Specific gas tube
 Ft : Thermal fuse
 C : Remote signaling contact
 t* : Thermal disconnection system
 Mi : Disconnection indicator



DOC306a.VEN-Rev0

