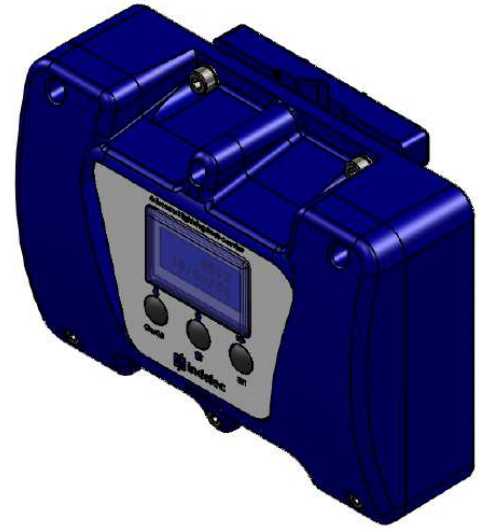


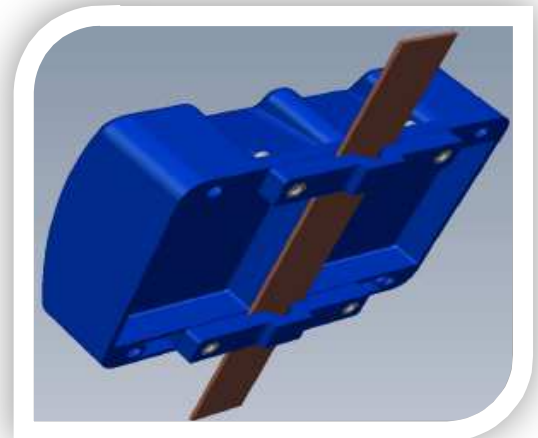
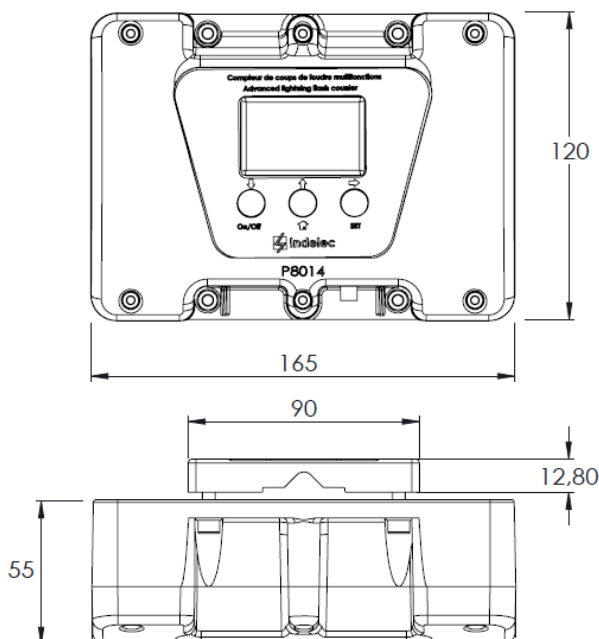
Advanced Lightning Flash Counter

Reference	P8016	
Characteristics		
Minimal detectable current 10/350µs	$I_{imp\ min}$	1 kA
Maximal detectable current 10/350µs	$I_{imp\ max}$	100 kA
Threshold current test	$I_{imp\ min}/2$	500 A
Degree of Protection	IP	67
Net Weight	W	0.890 kg
Operating principles		
Display	Digital	
Digital characters	16	
Recording	By induction while lightning current pass through down conductor	
Features	Date of event dd/mm/yy Time of event hh/mm Peak Current (+ / - 10% accuracy) Polarity of current	
On-site testing capabilities	Proprietary tester P8015	
Maintenance	Battery replacement P80170	
Warranty	18 months	
Mechanical specifications		
Down conductor fixing	Specific clamp (included)	
Certifications		
Standard	EN 62561-6	



Lightning Flash Counter Tester
Ref P8015

Dimensions (mm)



Application

DOC278a-VEN-Rev1

