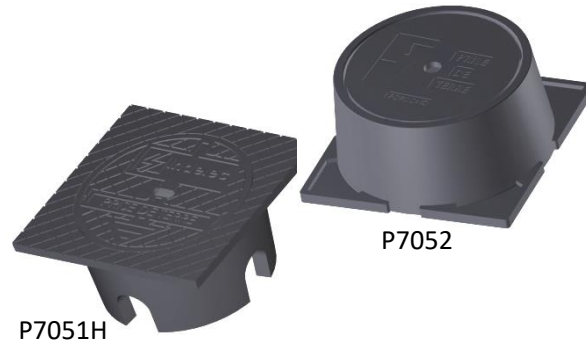


# Inspection Pit

Characteristics	P7051H	P7052
Material	Cast Iron	PVC
Weight (kg)	8.045	0.440
Application	Allows the inspection of buried conductors	
Standard	EN 62561-5	



## Dimensions (mm)

