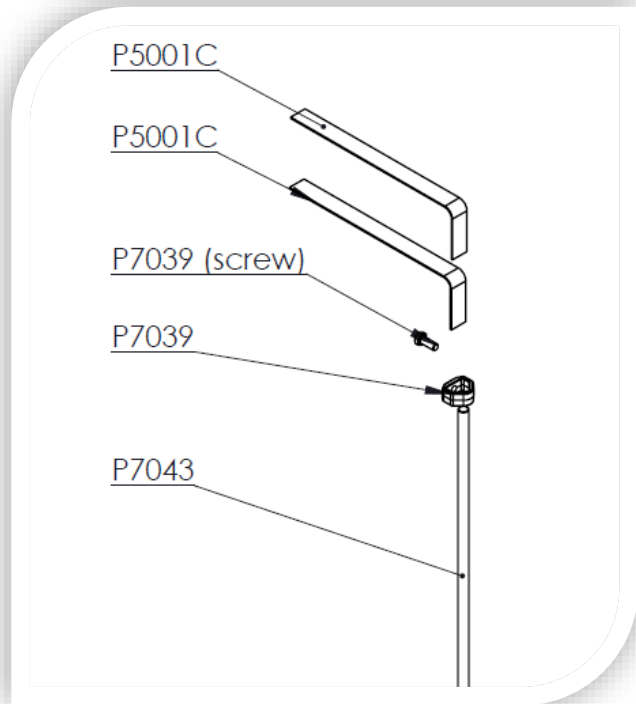
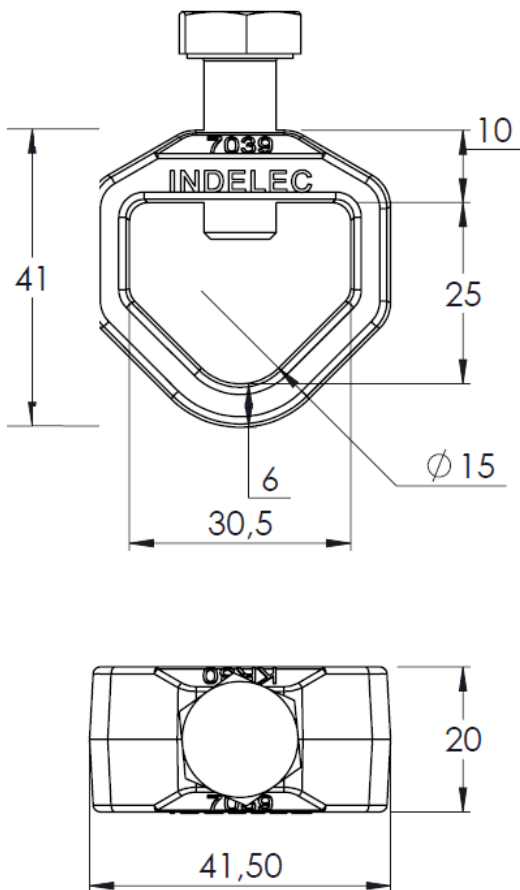


Rod to Conductor Clamp

Characteristics	P7039
Material	Brass
Weight (kg)	0.120
Application	Connection between conductor and earth rod (max 19mm diam.)
Standard	EN 62561-2



Dimensions (mm)



Application

DOC219a_VEN-Rev0

