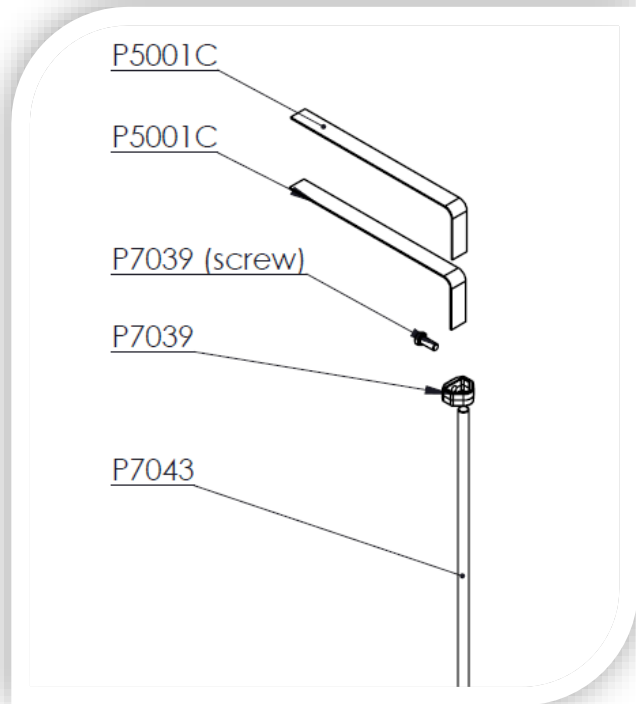
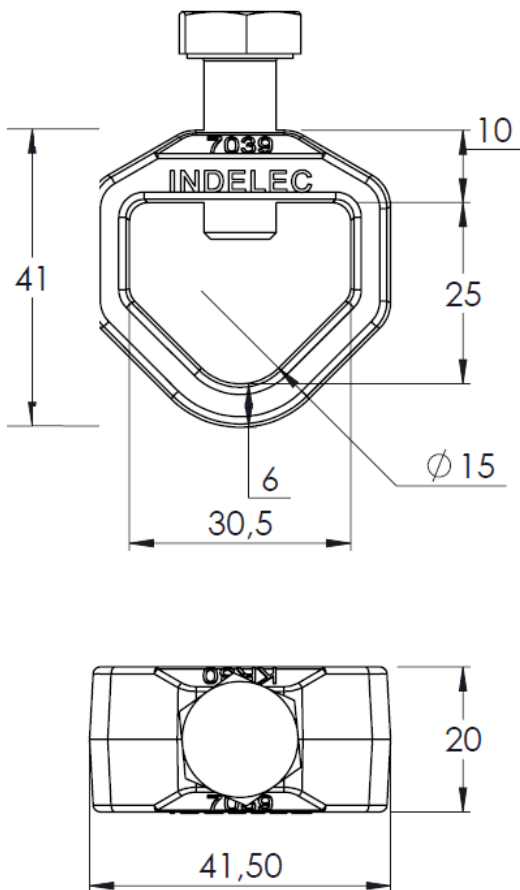


# Rod to Conductor Clamp

Characteristics	P7039A
Material	Brass
Weight (kg)	0.120
Application	Connection between conductor and earth rod (max 19mm diam.)
Standard	EN 62561-1, Class H



## Dimensions (mm)



## Application