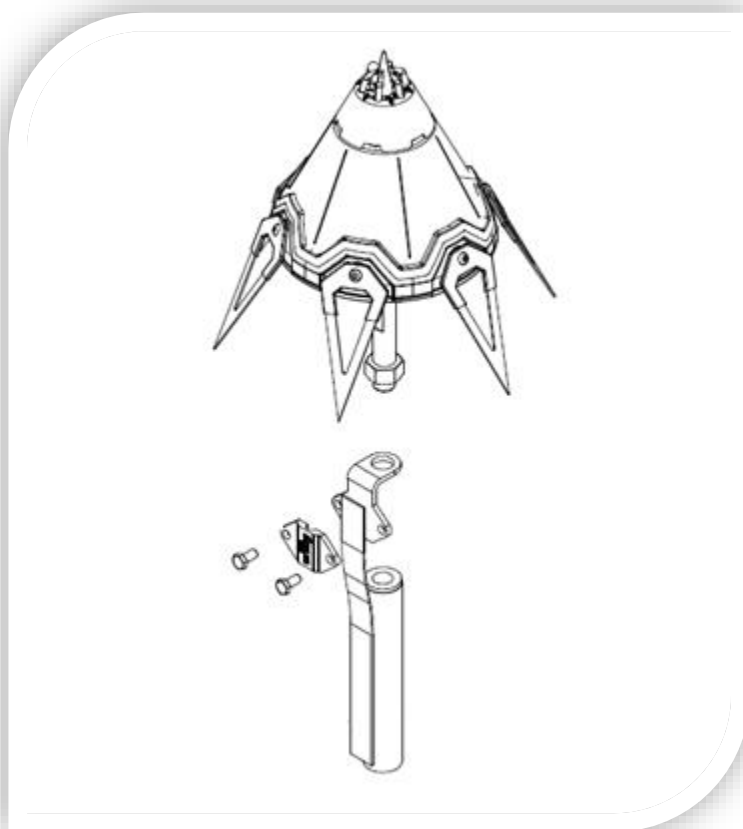
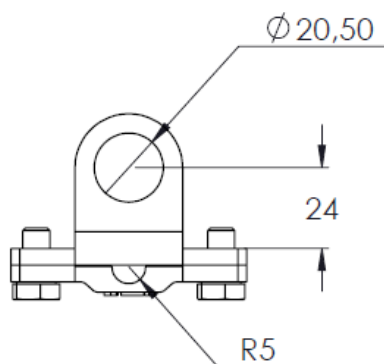
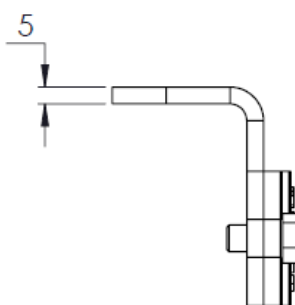
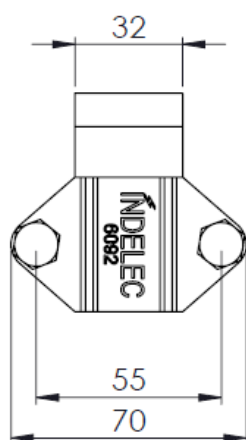


PREVECTRON® / Down Conductor Adaptor

Ref.	P6500
Material	Tinned copper
Weight (kg)	0.750
Application	Connect down conductor to central rod of PREVECTRON Air Terminal
Standard	EN 62561-1



Dimensions (mm)



Application

DOC170a.VEN-Rev0

