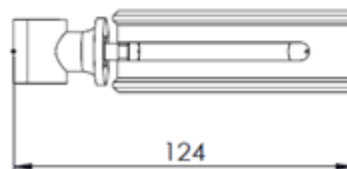
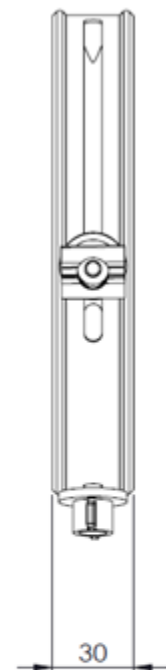
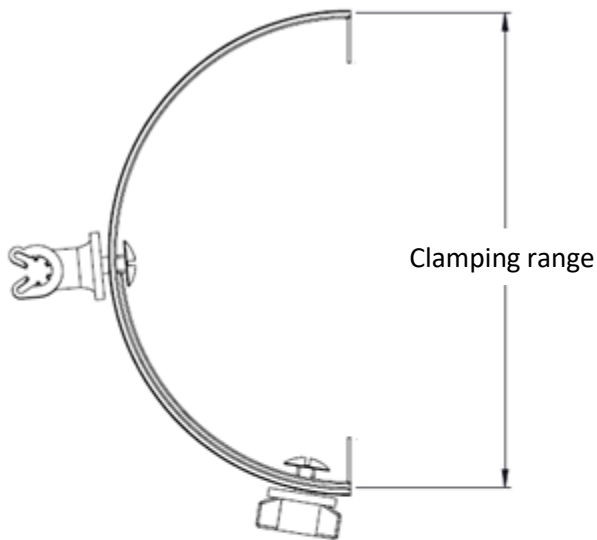


# Stainless Steel ridge conductor holder

Characteristics	P6114
Material	Stainless Steel/ PVC
Weight (kg)	0.085
Conductor	Round $\varnothing$ 6-10 mm
Application	Used to fix round conductor on a roof ridge without drilling
Fixing	Clamping on the ridge (adjustable)
Clamping range	180 – 280 mm
Standard	EN 62561-4



## Dimensions (mm)



DOC211a.VEN-Rev0

Made  
In  
Safety

©INDELEC SA – 61 Chemin des postes F59500 DOUAI - Tel +33 327 944 944  
www.indelec.com

**Indelec**

Non contractual document - INDELEC reserves the right to modify its product design, dimensions, weight as well as the illustrations without prior notice.