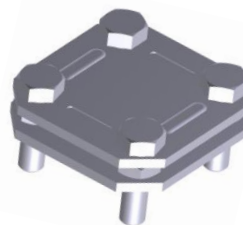


Galvanized steel Square Clamp

Characteristics	P6098B	P6099B
Material	Galvanized steel	
Conductor	Tape	Tape or Round
Weight (kg)	0.220	0.250
Application	Connection between 2 tape conductors	Connection between 2 tape or round conductors
Standard	EN 62561-1	

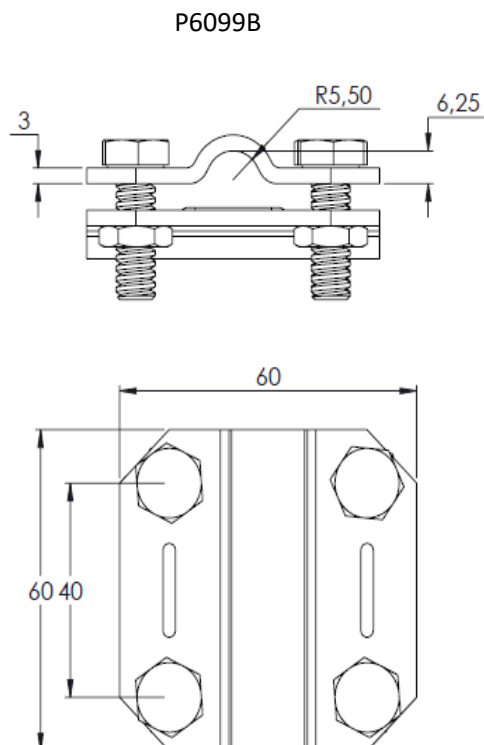
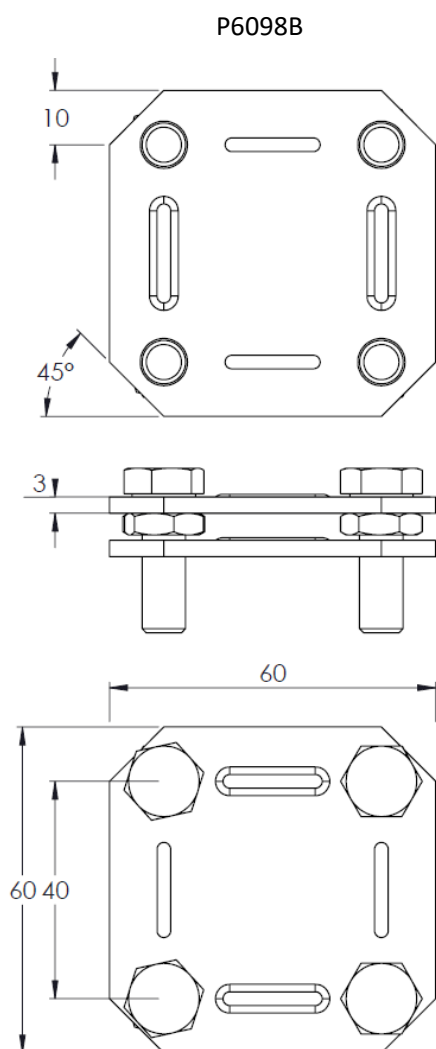


P6098B



P6099B

Dimensions (mm)



DOC208a_VEN-Rev0

