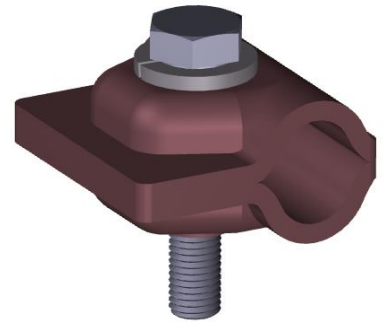


# Multi Purpose Square Clamp for Round Conductor

Characteristics	P6097
Material	Copper
Weight (kg)	0.115
Application	Connecting round conductors (8mm)
Standard	EN 62561-1



## Dimensions (mm)

