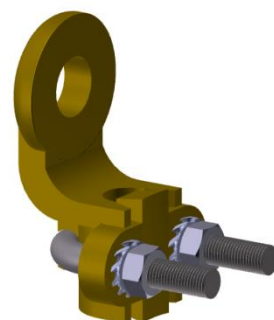
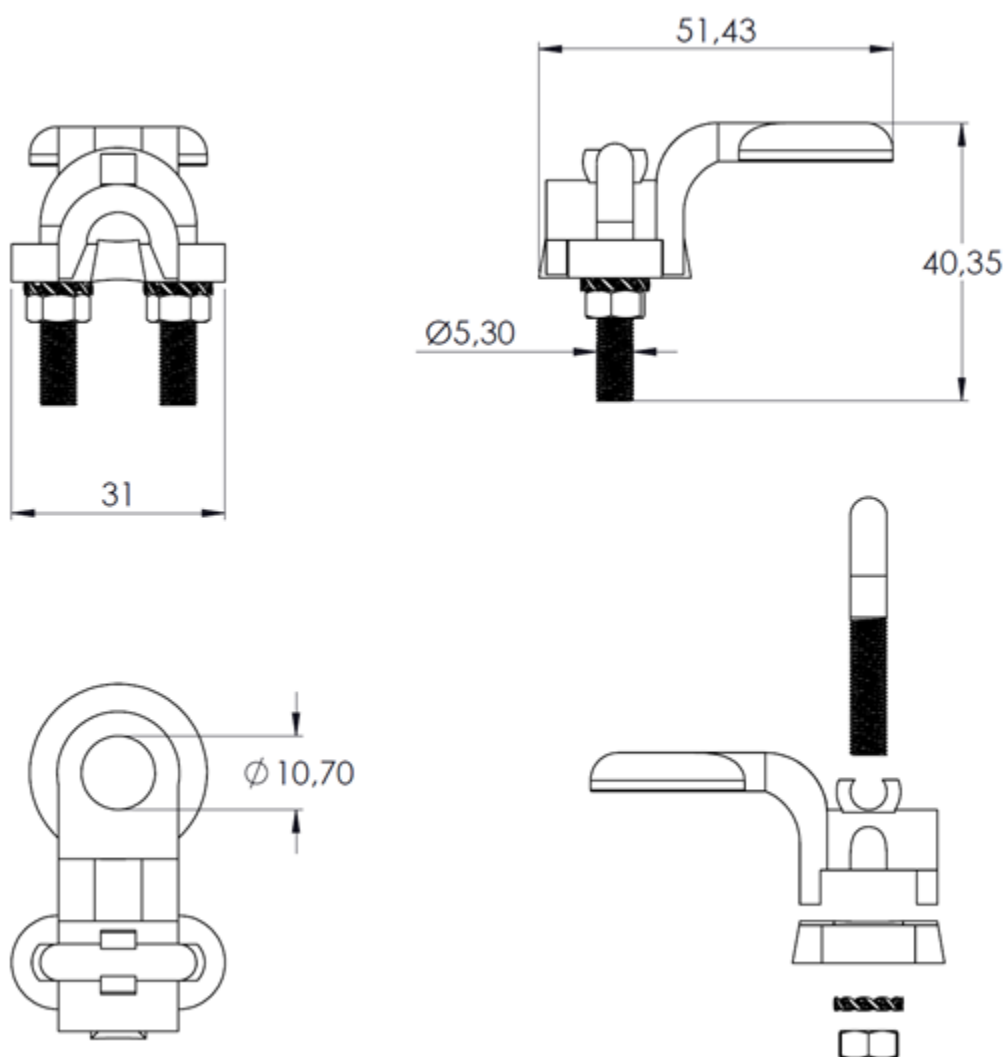


# Brass Socket for Round Conductor

Characteristics	P6096
Material	brass
Weight (kg)	0.075
Application	Connecting round conductor on earth bar
Standard	EN 62561-1



## Dimensions (mm)



DOC206a.VEN-Rev0

Made  
In  
Safety

©INDELEC SA – 61 Chemin des postes F59500 DOUAI - Tel +33 327 944 944  
www.indelec.com

 **Indelec**

Non contractual document - INDELEC reserves the right to modify its product design, dimensions, weight as well as the illustrations without prior notice.