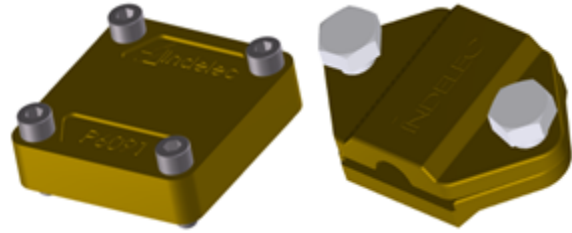


Brass Square Clamp

Characteristics	P6091C	P6092
Material	Brass	
Conductor	Flat	Flat or round
Weight (kg)	0.275	0.205
Application	Connection between conductors	
Standard	EN 62561-1	

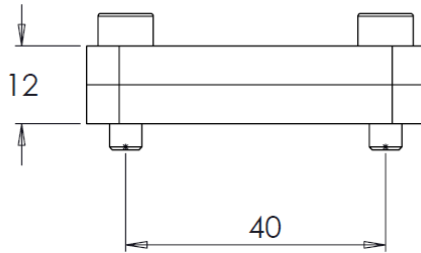


P6091C

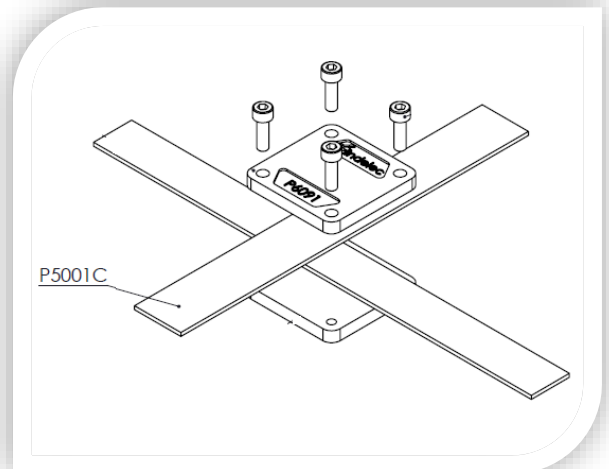
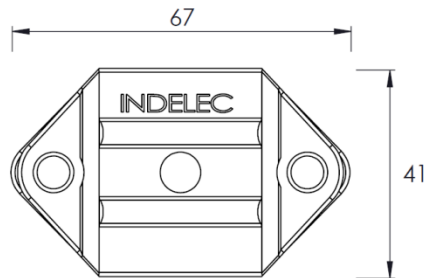
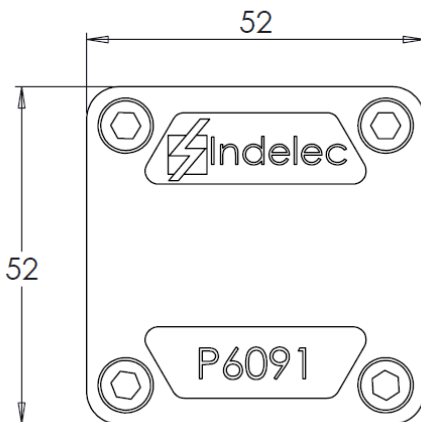
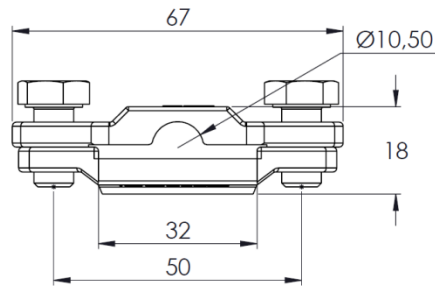
P6092

Dimensions (mm)

P6091C



P6092



Application