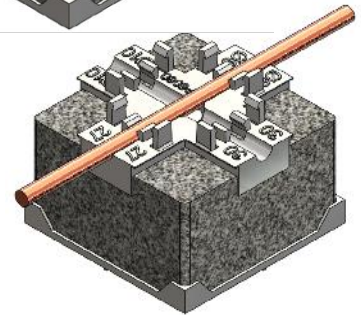
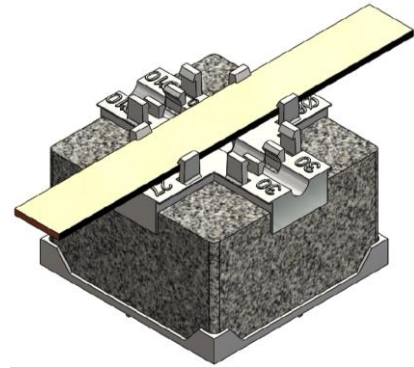
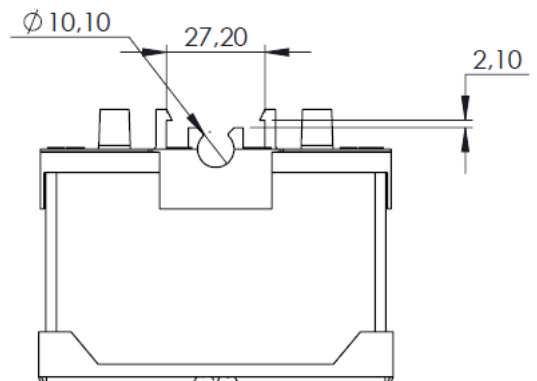
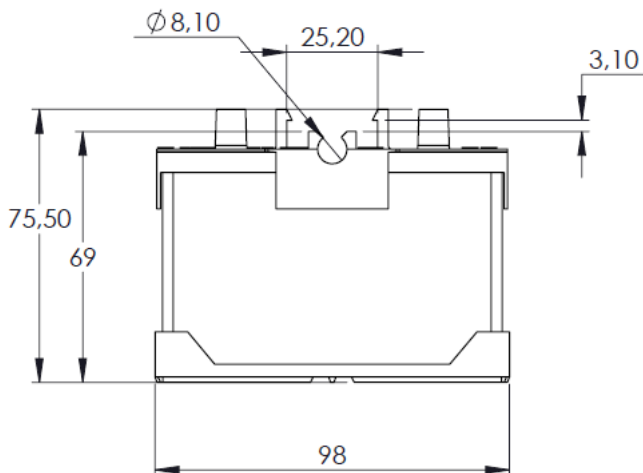
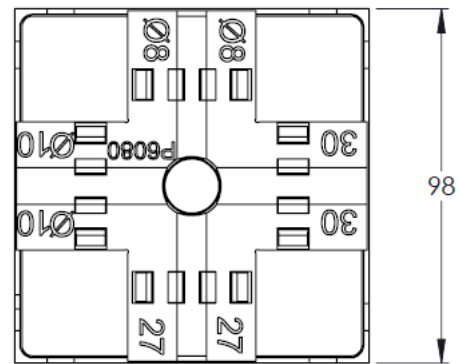
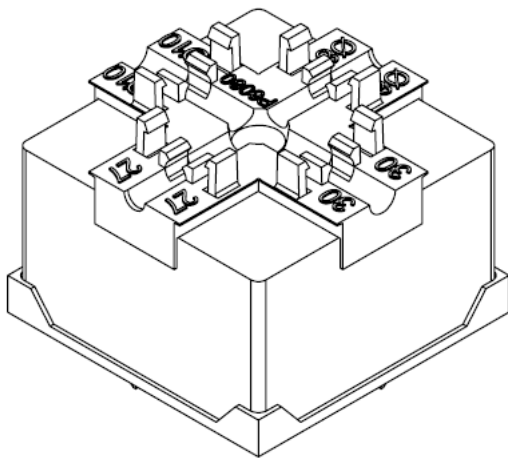


# Universal Concrete Block

Characteristics	P6080
Allowable conductor	th.2mm 27-30mm / th.3mm 25-27mm Ø 8 -10 mm
Material	Block : concrete – holder : plastic
Weight (kg)	1,000
Packing	10 units pack
Application	Maintain tape or round conductor on flat roof



## Dimensions (mm)



DOC277a\_VEN-Rev0

