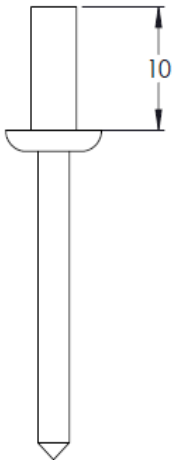


Waterproof Pop Rivet

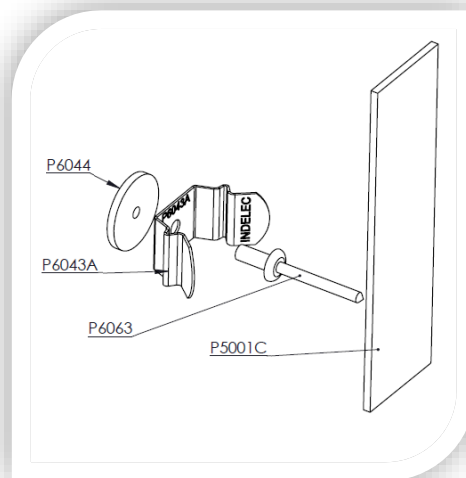
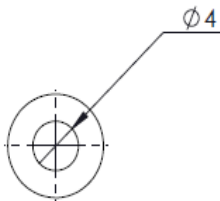
Characteristics	P6061	P6062	P6063
Material	Aluminium	Copper	Stainless steel
Weight (kg)	0.002		
Packing	100 units		
Application	These rivets are used to hold fixings such as clips in place on steel surfaces or cladding panels. The rivets supplied are waterproof.		



Dimensions (mm)



Rivet Clamping Tool ref. P6064



Application