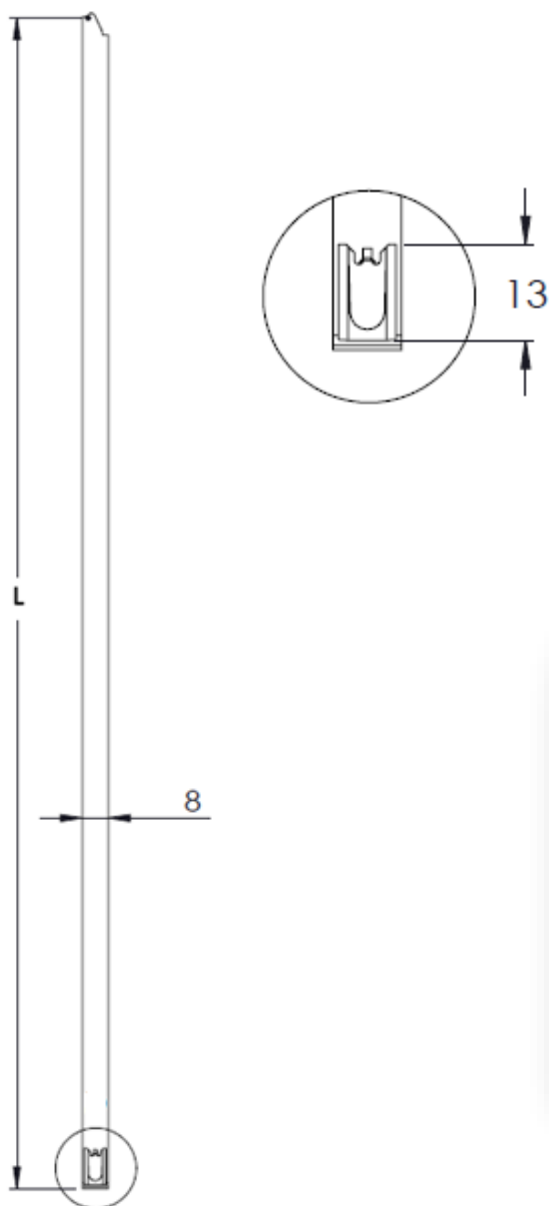


Stainless Steel Clamping Collar

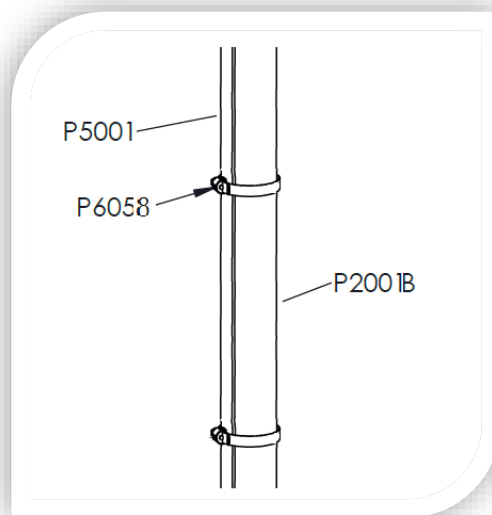
| Characteristics | P6058 | P6059 |
|-----------------|--|-------|
| Material | Stainless steel | |
| Lenght (mm) | 360 | 520 |
| Weight (kg) | 0.005 | 0.010 |
| Application | Down Conductor fixing on tube. Self-locking collar which is permanently tightened around its support thanks dedicated pliers (ref P6060) | |
| Ø max (mm) | 100 | 150 |
| Normes | EN 62561-4 | |



Dimensions (mm)



Collar Pliers ref. P6060



Application

DOC200a.VEN-Rev0

