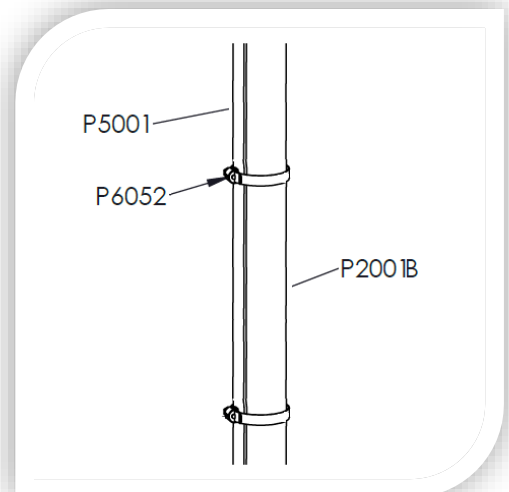
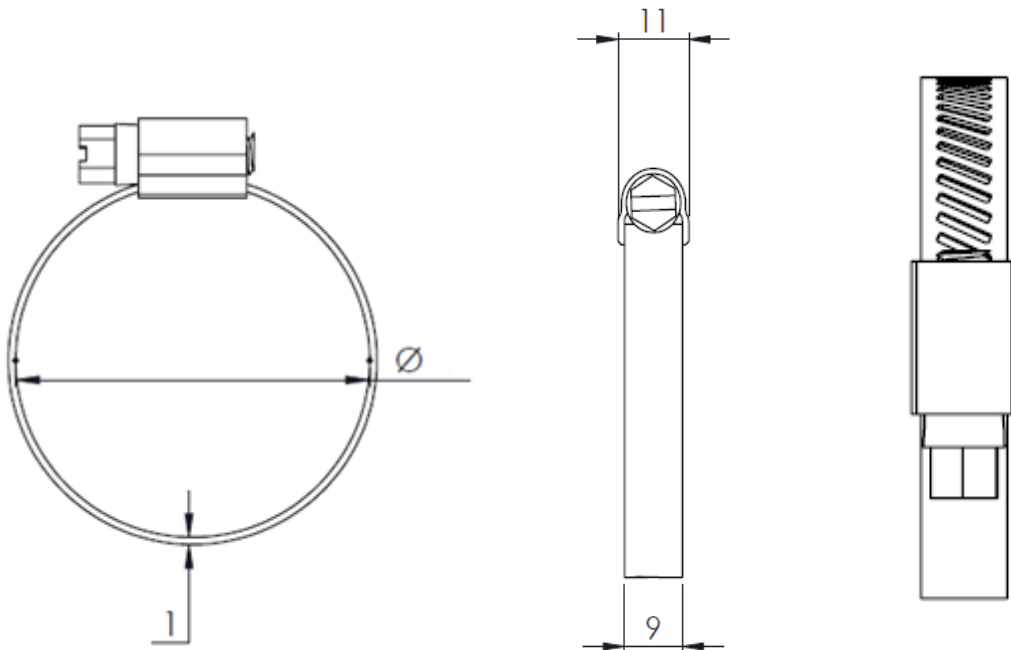


# Stainless Steel Mast Collar

Characteristics	P6051	P6052	P6053	P6054
Material	Stainless steel			
Weight (kg)	0.020	0.020	0.025	0.025
Ø (mm) min-maxi	32-50	40-60	60-80	70-90
Application	Used to maintain conductor on tube. The collar is held in place by screwing.			
Standard	EN 62561-4			



Application

DOC199a.VEN-Rev0

