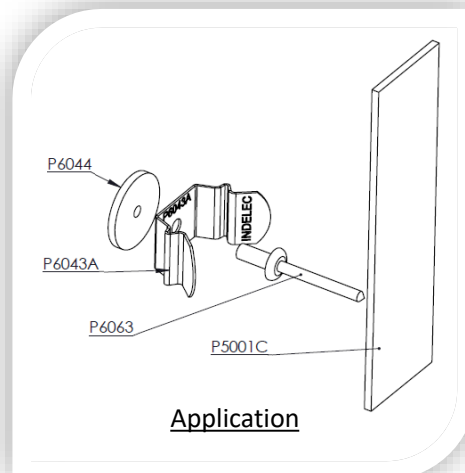
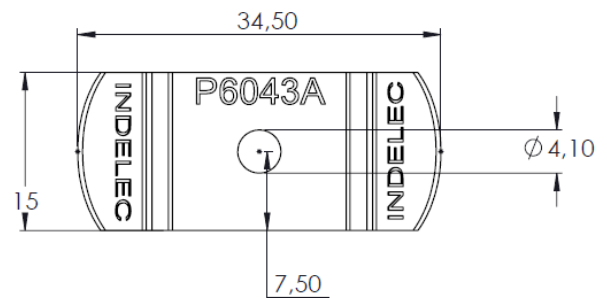
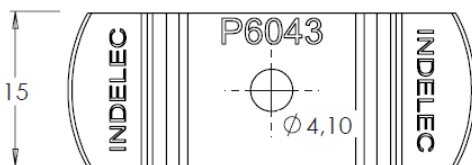
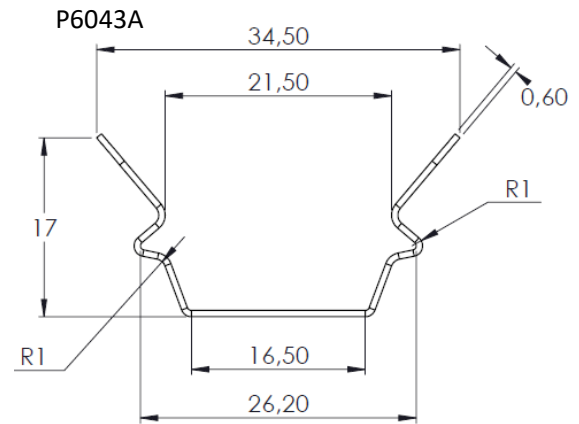
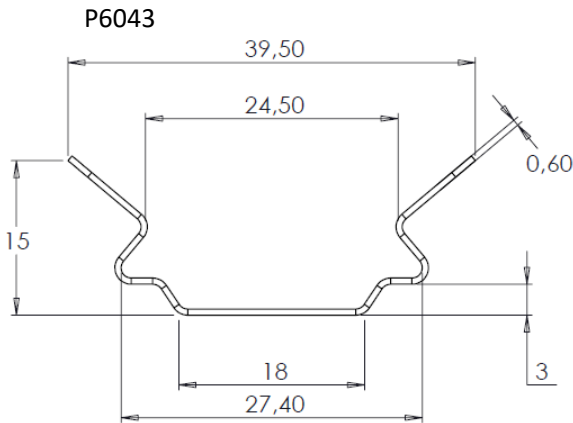


Stainless Steel Push-In DC Tape Clip

Characteristics	P6043	P6043A
Conductors	tape 30x2 mm	Tape 27x2 mm
Material	Stainless Steel	
Weight (kg)	0.004	
Fixing	By screws, rivets (not included), waterproofing thanks to washer (ref: P6044)	
Application	These clips hold the tape in place and are either pop-riveted or screwed down.	
Standard	EN 62561-4	



Dimensions (mm)



Application

DOC197a.VEN-Rev0

