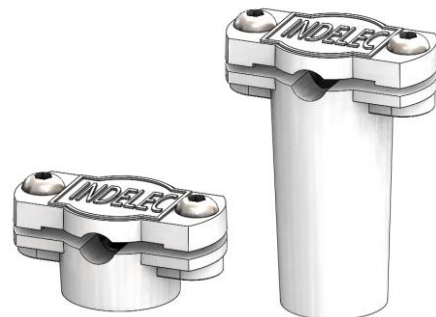


Non-metallic DC Clip

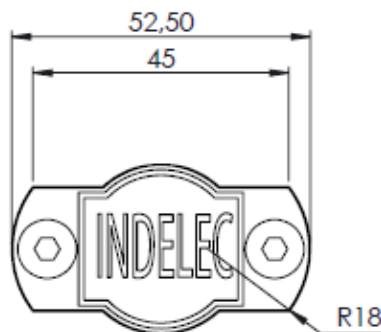
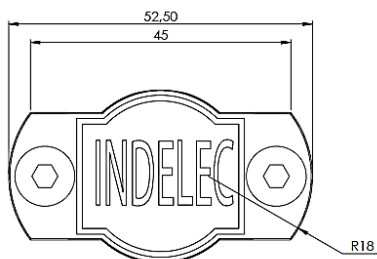
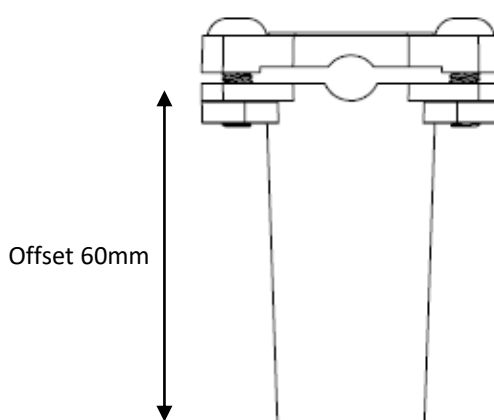
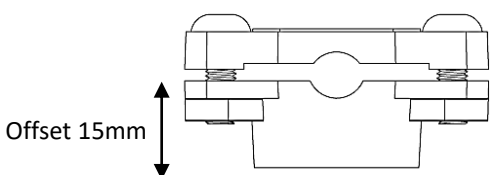
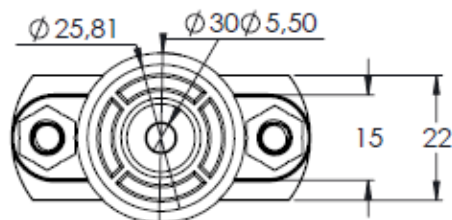
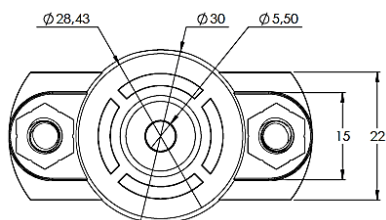
Characteristics	P6015	P6016
Material	Polypropylene	
Weight (kg)	0,028	0,040
Application	Used to fix a flat conductor (max 30x3,5mm) or round conductor (max ϕ 10mm)	
Fixing	To be screwed in place or held by a screw-in bracket M6	
Standard	EN 62561-4	



P6015

P6016

Dimensions (mm)



DOC279a.VEN-Rev0

