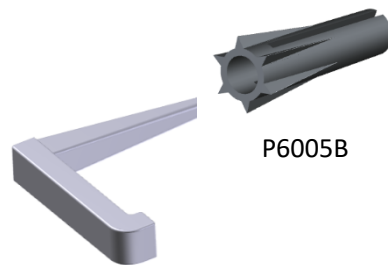


Galvanized Steel Hook and Lead Plug

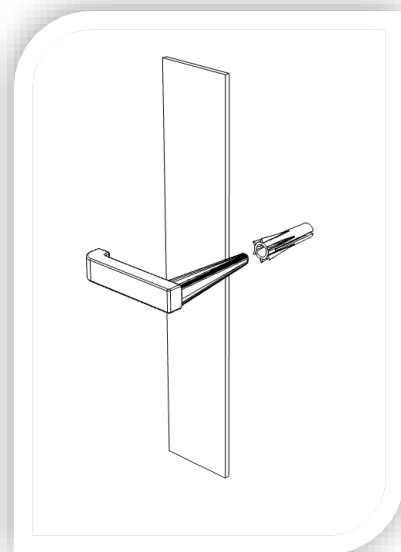
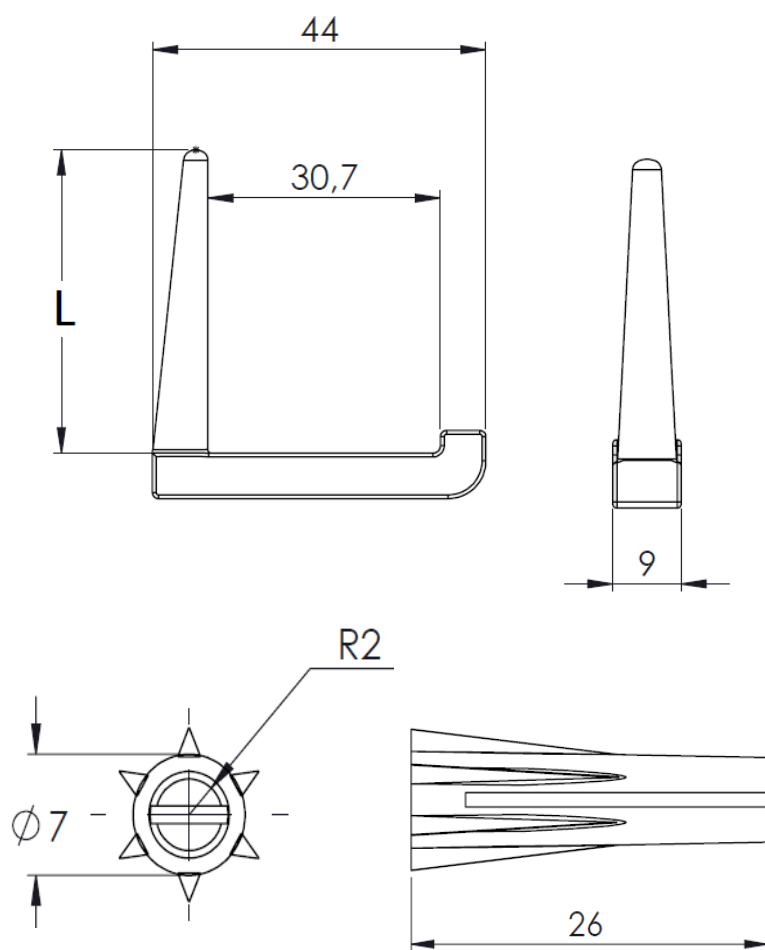
Characteristics	P6001	P6002	P6005B
Materiel	Galvanized steel		Lead
Length L (mm)	30	40	26
Weight (kg)	0.015	0.025	0.005
Application	Maintain tape conductor on concrete wall		
Standard	EN 62561-4		



P6002

P6005B

Dimensions (mm)



Application

Drilling \varnothing of the wall
7mm

DOC192a.VEN-Rev0

