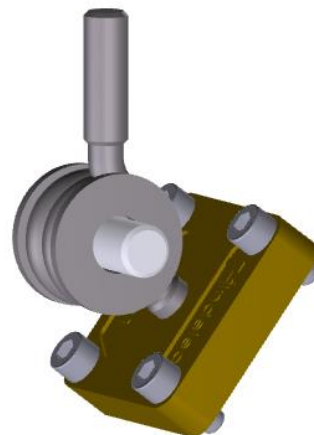


Pivoting Saddle

Characteristics	P4052B
Material	Stainless steel - brass
Weight (kg)	0.430
Connection	Flat conductor clamped between the plates
Application	Fixing the tip and conductors on an inclined support
Standards	EN 62561-1, EN 62561-4



Dimensions (mm)

