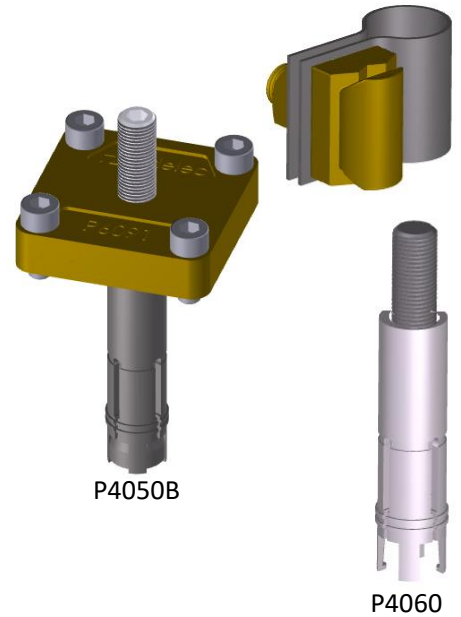


Air Rod Base

Characteristics	P4050B	P4060
Material	Brass	Copper
Weight (kg)	0.390	0.185
Connection	Flat conductor by clamping between plates	Round conductor by a collar at the base of the air rod
Fixation	Screw and anchor bolts	
Application	Fixation of threaded air rod and connection for tape or round conductor	
Standards	EN 62561-1, EN 62561-4	



Dimensions (mm)

