

Waterproofing Collar

Characteristics.	P3062B	P3063	P3065
Material	Rubber		Zinc
Weight (kg)	0.070	0.200	0.145
Application	Waterproofing on mast		



P3062B



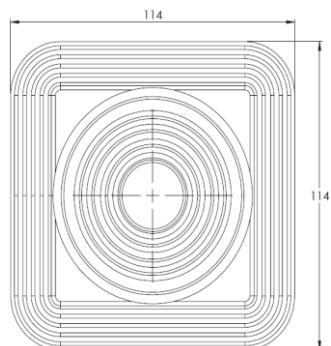
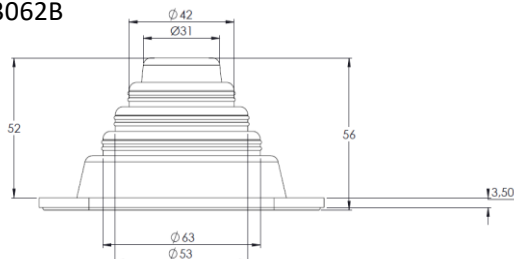
P3063



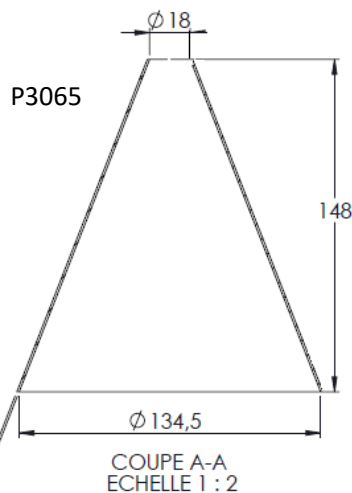
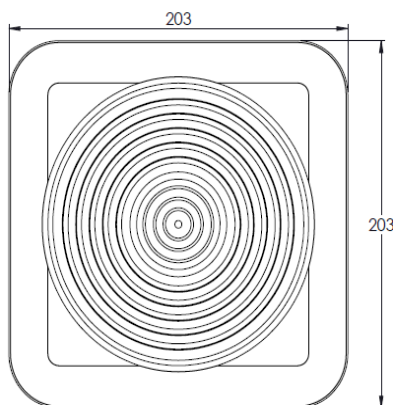
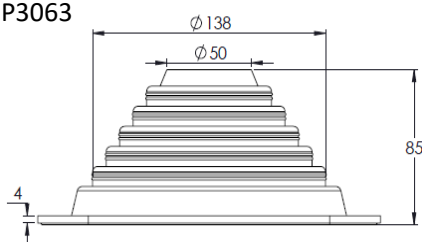
P3065

Dimensions (mm)

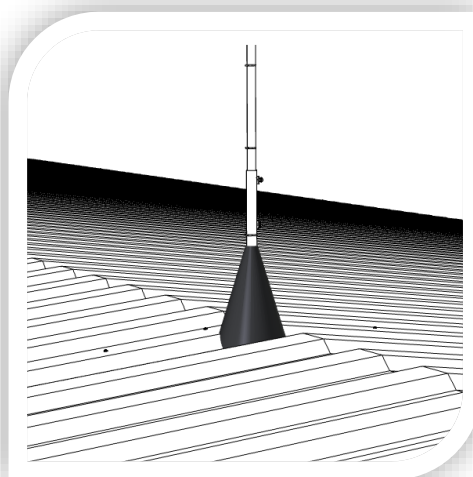
P3062B



P3063



Application



DOC179a.VEN-Rev0

