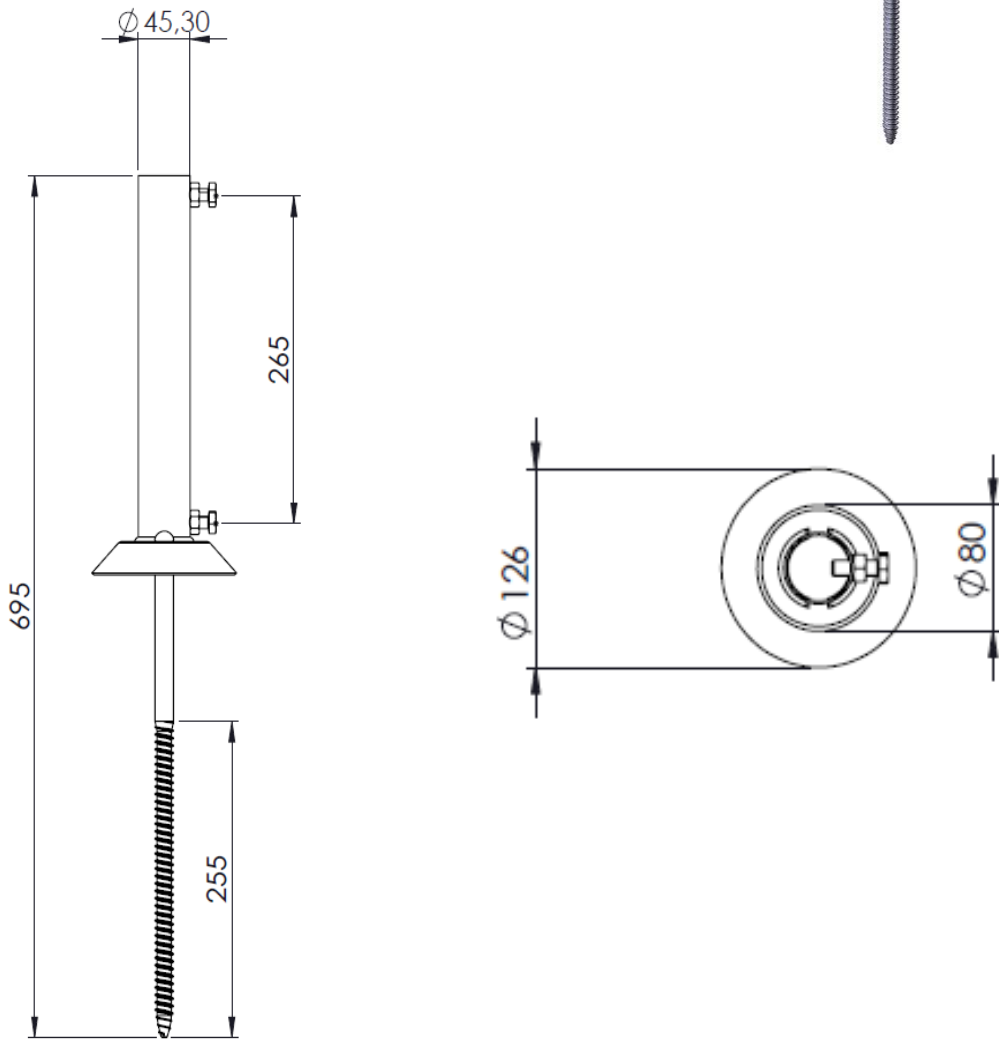


Anchor Cement Mounting

Characteristics	P3042
Material	Hot Galvanized steel
Weight (kg)	1.360
Ø max support	35mm
Application	For lightning rod or elevation pole (2m height max) fixing on a wooden or concrete frame.



Dimensions (mm)



DOC177a.VEN-Rev0

