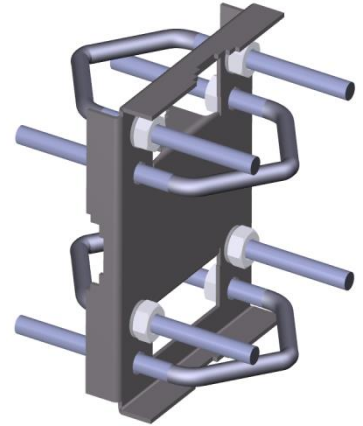
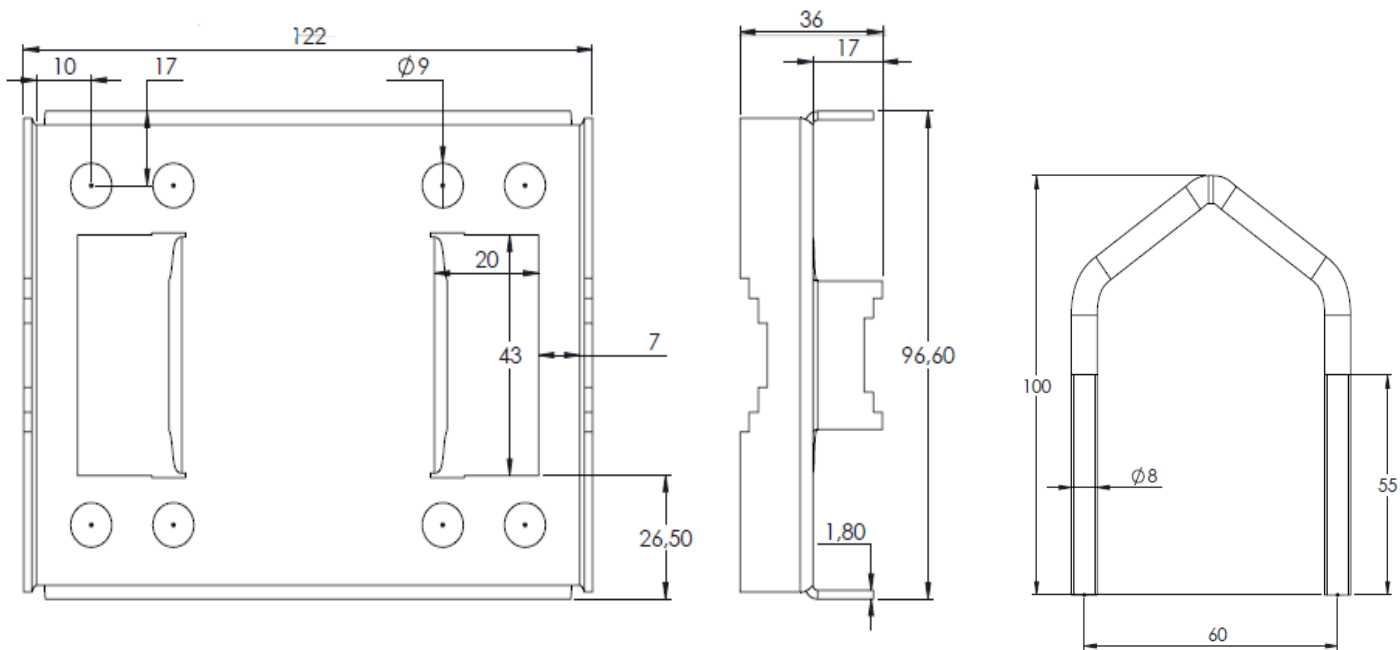


Multipurpose Fixing Bracket

Characteristics	P3034
Material	Stainless steel
Weight (kg)	0.570
Ø max (mm)	50
Application	Fixing a mast on a vertical or horizontal tubular structure



Dimensions (mm)



DOC176a.VEN-Rev0

