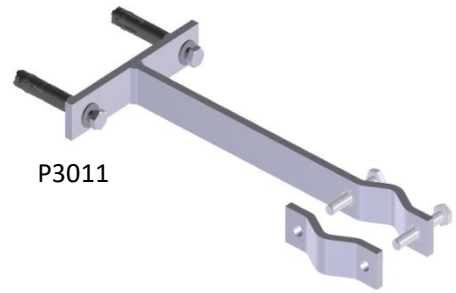
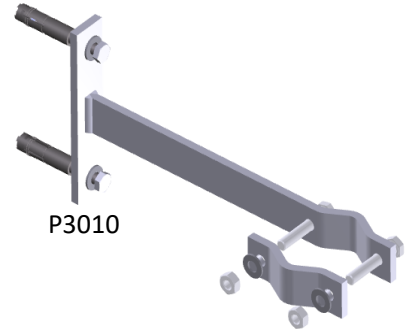


Side Mounting Bolted Brackets

Characteristics	P3011	P3010
Orientation	Horizontal	Vertical
Material	Galvanized steel	
Weight (kg)	1.650	1.700
drilling \varnothing (mm)	16	
Support max \varnothing (mm)	50	
Fixing	M10 bolts and iron plugs included	
Offset (mm)	300	
Application	Used to fix a pole on a vertical surface.	

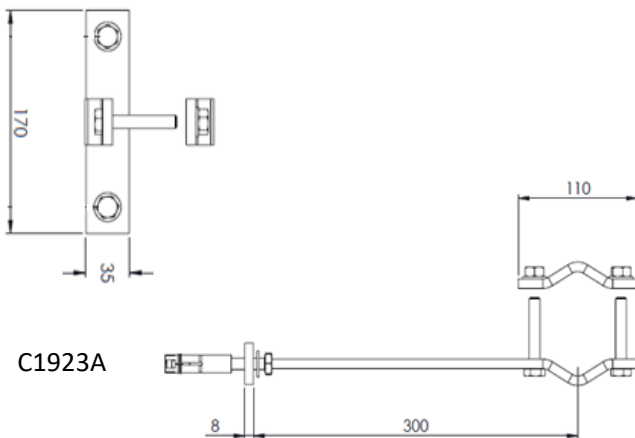


P3011

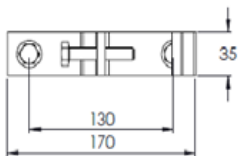


P3010

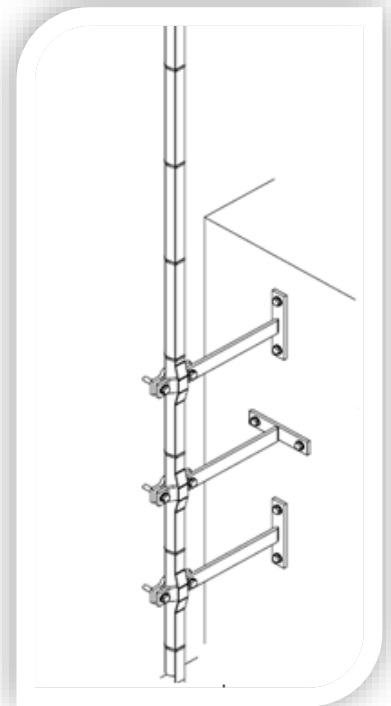
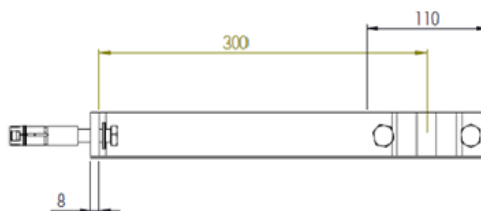
Dimensions (mm)



C1923A



C1922A



Application

Mast \leq 2m : 2 x P3010

Mast $>$ 2m : 1x P3011 + 2x P3010