

# Self Standing Towers (PYL Type)

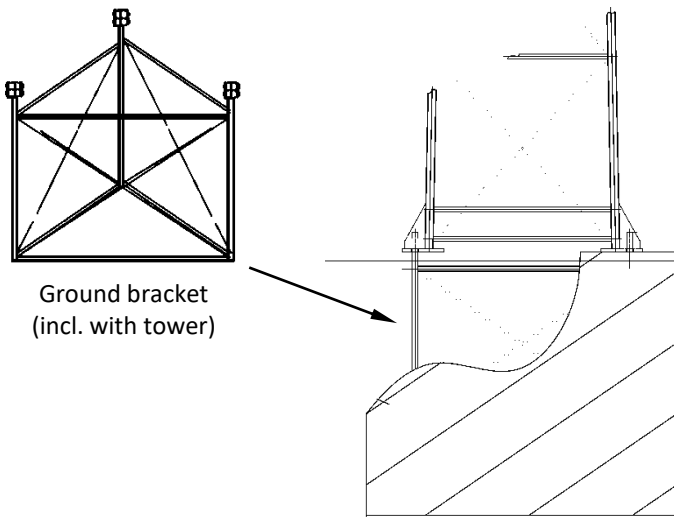
Indelec's self-standing towers are made from high-resistance steel and then dip-galvanized. They allow for lightning rods to be erected up to 36 m for the protection of open areas, for example.

They are supplied in kit form, in 3 or 6 m sections. A metal ground bracket is supplied and should be buried in a solid concrete block (see figures in table below).

Maximum top surface (Wind zone 2, 112 km/h): 1.00 m<sup>2</sup>.

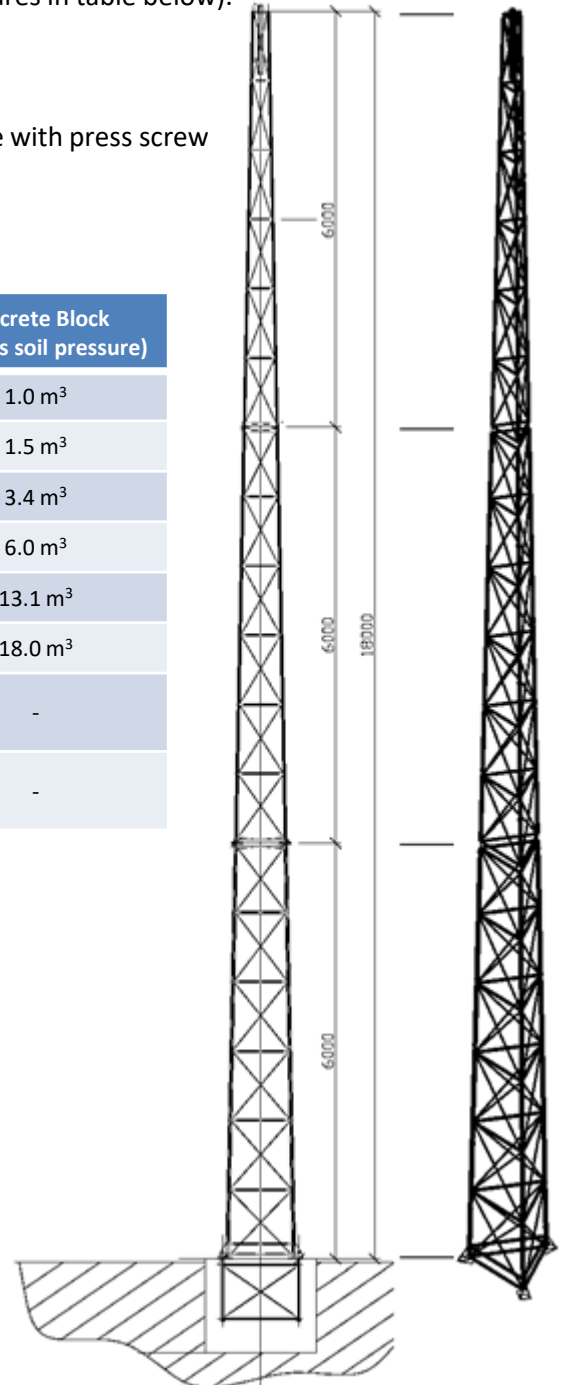
Upper termination is designed for lightning conductor fixing pole with press screw (max. dia. 50 mm).

Designation	Ref.	Height	Weight	Concrete Block (1.5 bars soil pressure)
Self Standing Tower	P2085	9 m	119 kg	1.0 m <sup>3</sup>
Self Standing Tower	C1776	12 m	173 kg	1.5 m <sup>3</sup>
Self Standing Tower	C1775	18 m	305 kg	3.4 m <sup>3</sup>
Self Standing Tower	C1781	24 m	479 kg	6.0 m <sup>3</sup>
Self Standing Tower	P2086	30 m	689 kg	13.1 m <sup>3</sup>
Self Standing Tower	P2087	36 m	963 kg	18.0 m <sup>3</sup>
Lightning conductor fixing pole dia. 50mm	P2067S	6 m	22 kg	-
M20 tapped Lightning conductor fixing pole	P2067P	6 m	22 kg	-



Ground bracket  
(incl. with tower)

Concrete Block



Example : Tower PYL18, made of three 6m sections

DOC262a.VEN-Rev0

