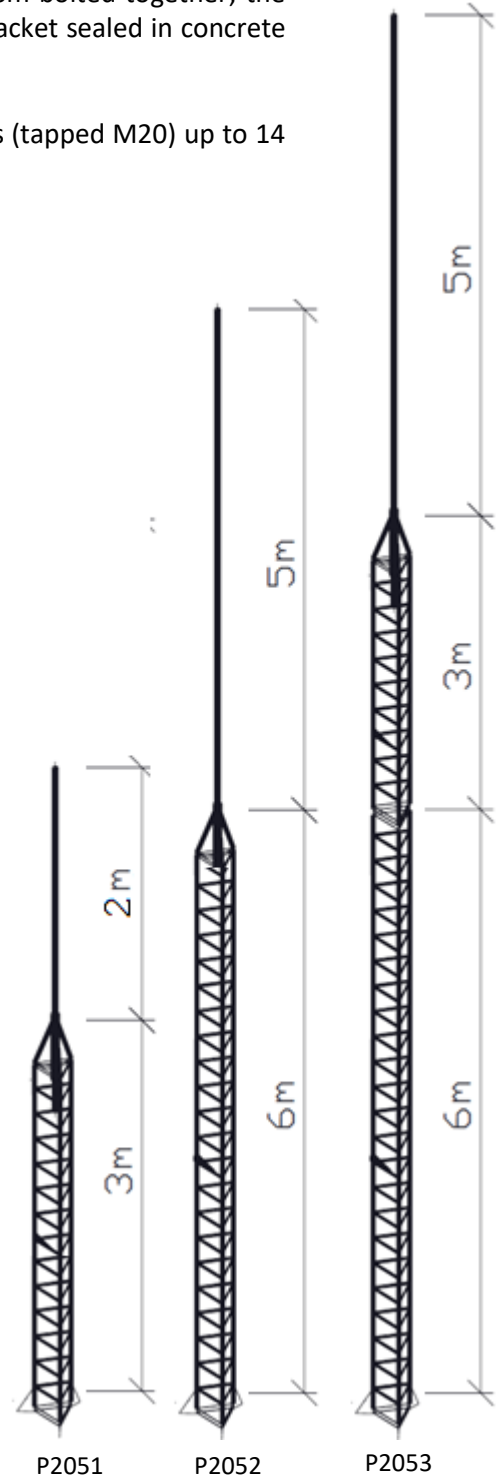


# Light Self Standing Masts (LSM)

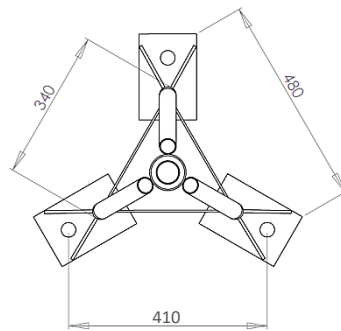
Made from light-weight dip-galvanized tubing, in lengths of 3m or 6m bolted together; the Lightning Self Standing Mast is fixed to the ground with a ground bracket sealed in concrete block, on a wall or gable with offset mounting brackets.

The Light Self Standing Mast allows the fixing of lightning conductors (tapped M20) up to 14 meters. No guy wires are necessary if the base is adequate.

Designation	Ref.	Total Height	Weight
L.S.M 5m (Ground fixing)	P2051	5 m	36 kg
L.S.M 11m (Ground fixing)	P2052	11 m	71 kg
L.S.M 14m (Ground fixing)	P2053	14 m	86 kg
L.S.M 5m (Wall fixing)	P2056	5 m	36 kg
L.S.M 11m (Wall fixing)	P2057	11 m	71 kg
L.S.M 14m (Wall fixing)	P2058	14 m	86 kg
Set of 3 offset mounting brackets	P2054	-	25 kg
Ground bracket	P2055	-	6 kg



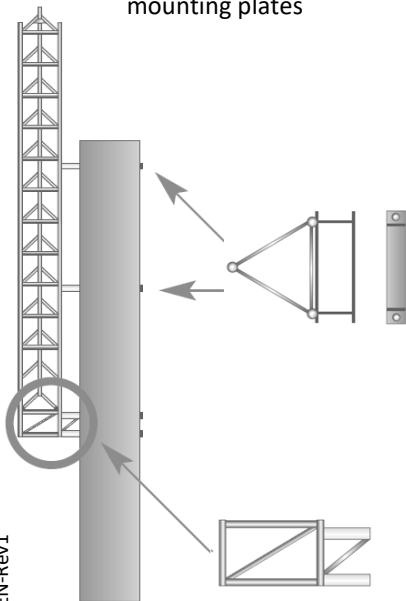
Dimensions (mm)



P2055

P2054

- 1 Base Offset Mounting Bracket and mounting plate
- 2 Offset Mounting Brackets and mounting plates



Concrete block dimensions (1.5 bar soil pressure)

P2051	0.8 x 0.8 x 0.8 m <sup>3</sup>
P2052	0.9 x 0.9 x 0.9 m <sup>3</sup>
P2053	1.0 x 1.0 x 1.0 m <sup>3</sup>

DOC173a.VEN-Rev1

