

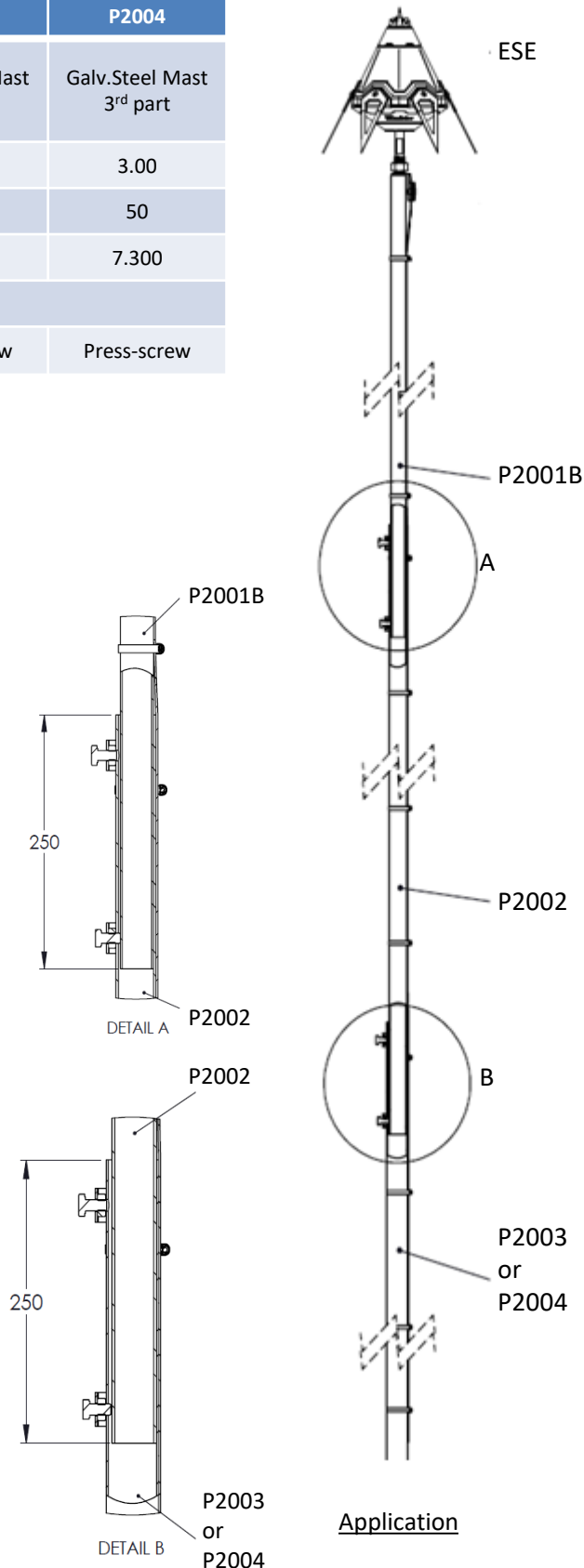
Galvanized Steel Elevation Mast

Characteristics	P2001B	P2002	P2003	P2004
Description	Galv.Steel Mast 1 st part	Galv.Steel Mast 2 nd part	Galv.Steel Mast 3 rd part	Galv.Steel Mast 3 rd part
Length (m)	2.00	2.00	2.00	3.00
Diameter(mm)	35	42	50	50
Weight (kg)	3.250	5.000	4.700	7.300
Material	Galvanized steel			
Connection	Tapped M20	Press-screw	Press-screw	Press-screw

Made of special «high resistance» steel and galvanized inside and out, Indelec's elevation poles allow the lightning rod (PREVECTRON® E.S.E., Indelec multiple rod or Pointed Air Rod) to be raised by up to 6,5 m without resorting to guy wires.

The telescopic sections are fixed together by two stainless steel press-screws. The lightning rod is screwed at the top of the first section (P2001B).

Assembly	
Mast 3.75m	P2001B + P2002
Mast 5.50m	P2001B + P2002 + P2003
Mast 6.50m	P2001B + P2002 + P2004



DOC171a.VEN-Rev1

