

# PREVECTRON 3<sup>®</sup> TS25 CONNECT

## EARLY STREAMER EMISSION AIR TERMINAL (ESE)

### IoT CONNECTED

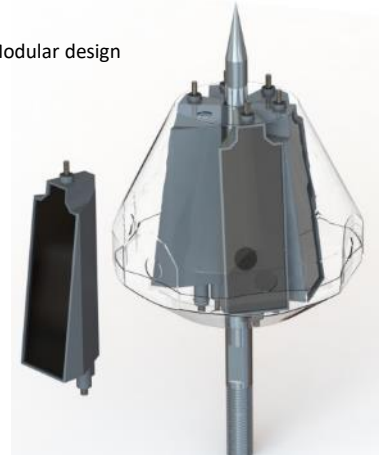
Reference	P1613C / P1713C / P1813C (depending on installation location)	
<b>Prevectron 3<sup>®</sup> Early Streamer Emission Technical Specifications</b>		
Efficiency	$\Delta T$	25 $\mu s$
Standard deviation ESE / Single Rod	$\sigma$	$\sigma_{PDA} < 0.65 \sigma_{PTS}$
Lightning current withstanding test (10/350 $\mu s$ )	$I_{imp}$	100kA (normative test)
Max. current withstanding test	$I_{max}$	230 kA (Unicamp)
Detection of downward leader	Continuous measuring of electric field gradient ( $\Delta E/\Delta t$ )	
Upward streamer development conditions	Patented OPTIMAX <sup>®</sup> technology optimizing the streamer development conditions	
Upward streamer emission	Sparking by High Voltage Impulses	
Internal circuits	3 independent and synchronised modules	
Central rod	Full electrical continuity 200mm <sup>2</sup> section – Nickel plated Copper	
Metal housing	Stainless Steel 316, Electromagnetic shielding	
Maintenance	Replaceable modules (factory)	

<b>Prevectron 3<sup>®</sup> Connect Module Technical Specifications</b>	
Prevectron <sup>®</sup> 3 Connect remote information	via <a href="http://www.indelec-connect.com">www.indelec-connect.com</a> : -ESE Lightning rod status -battery level -GSM signal quality
Communication	4G (LTE) / 2G (GPRS)
Power Supply	High Performance LiFePo <sub>4</sub> Battery 3 200mA.h – 3.2V
Battery Charge	Monocrystalline Glass-coated Solar panel
Lightning Strike Counter	Integrated Type 1 Lightning Strike Counter Patented contactless counting technology $I_{imp\ min} = 2kA$ $I_{imp\ max} = 100kA$
Module central rod	Full electrical continuity 200mm <sup>2</sup> section – Nickel plated Copper
Module / Prevectron <sup>®</sup> 3 connection	Fast Connect Technology Plug-in system
Maintenance	Battery Replacement Kit ref. P1599

PREVECTRON 3<sup>®</sup> TS25 CONNECT



Modular design



CONNECT MODULE



DOC320a\_VEN-Rev0

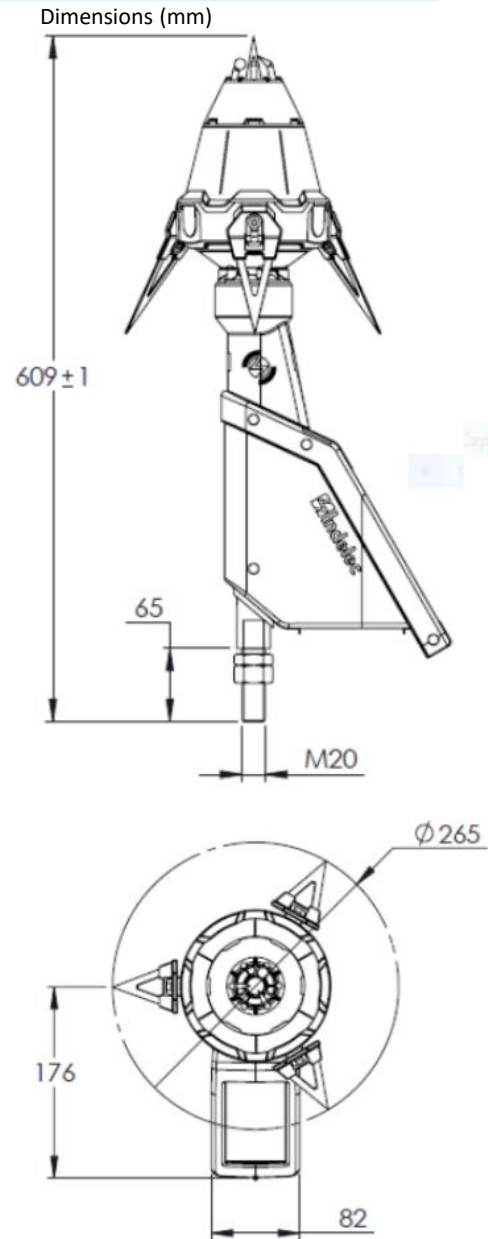



# PREVECTRON 3<sup>®</sup> TS25 CONNECT

## EARLY STREAMER EMISSION AIR TERMINAL (ESE)

### IoT CONNECTED

Operating Temperature range	-15°C to + 55°C
Relative Humidity	0% HR to 100% HR
Max. Operating Altitude	4000 m HASL (Height Above Sea Level)
Ingress Protection	IP 54
Fixing on pole	M20 Thread
Down-conductor clamp	Proprietary clamp included
<b>Packing</b>	
Dimensions	485 x 260 x 429 mm
Gross Weight	7.050 kg
<b>Warranty</b>	
Warranty (excluding battery)	5 years
<b>Certifications - Standard</b>	
Prevectron <sup>®</sup> 3 Lightning Rod	NF C 17 102:2011, Annexe C Bureau Veritas Certificate N°6275241/2/1/4
Lightning Strike Counter	NF EN 62 561-6:2018 Edition 2
Qualifoudre	Ineris Certificate N° N°051166662001
CE Marking	Attestation N°IND-CE-21092015-D (Prevectron 3) Attestation N°IND-CE-16122020 (Module Connect)
Underwriter Laboratories (UL)	UL Certified E478687 (Prevectron <sup>®</sup> 3 Lightning rod )
Eco Label	Certificate AFAQ N°1335.2 11/2014
ISO 9001 : 2015	Bureau Veritas Certificate



 Installation and user guide  
ref. C4207A

PREVECTRON 3<sup>®</sup> TS25 CONNECT

