

# Prevectorn 3<sup>®</sup> S60T

## REMOTE-TESTING

### EARLY STEAMER EMISSION AIR TERMINAL (ESE)

Reference	P1543T	
<b>Prevectorn 3<sup>®</sup> Early Steamer Emission Technical Specifications</b>		
Efficiency	$\Delta T$	60 $\mu s$
Standard deviation ESE / Single Rod	$\sigma$	$\sigma_{PDA} < 0.44 \sigma_{PTS}$
Lightning current withstanding test (10/350 $\mu s$ )	$I_{imp}$	100kA (normative test)
Max. current withstanding test	$I_{max}$	230 kA (Unicamp)
Detection of downward leader	Continuous measuring of electric field gradient ( $\Delta E/\Delta t$ )	
Upward streamer development conditions	Patented OPTIMAX <sup>®</sup> technology optimizing the streamer development conditions	
Upward streamer emission	Sparking by High Voltage Impulses	
Internal circuits	6 independent and synchronised modules	
Central rod	Full electrical continuity 200mm <sup>2</sup> section – Nickel plated Copper	
Metal housing	Stainless Steel 316, Electromagnetic shielding	
Maintenance	Replaceable modules (factory)	

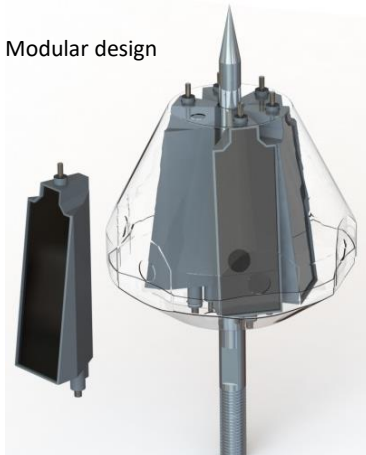
<b>Prevectorn 3<sup>®</sup> Remote Testing Module Technical Specifications</b>		
On-site working conditions testing	Remote testing Module réf.P1591 (not included) : -ESE Lightning conductor condition -Solar Remote Testing Unit battery level	
Remote Testing Module / ESE Lightning Conductor Communication Protocol	Radio-frequency communication HF 2.4GHz Range = 100m/330 ft	
Power Supply	High Performance LiFePo <sub>4</sub> Battery 3 200mA.h – 3.2V	
Battery Charge	Monocrystalline Glass-coated Solar panel	
Remote Testing Module central rod	Full electrical continuity 200mm <sup>2</sup> section – Nickel plated Copper	
Remote Testing Module / Prevectorn connection	Fast Connect Technology Plug-in system	
Maintenance	Battery Replacement Kit ref. P1599	

PREVECTRON 3<sup>®</sup> S60



REMOTE TESTING MODULE  
PREVECTRON 3<sup>®</sup>

Modular design



Accessory (not included)  
Testing Remote Control P3 T réf P1591



DOC270a\_VEN-Rev2



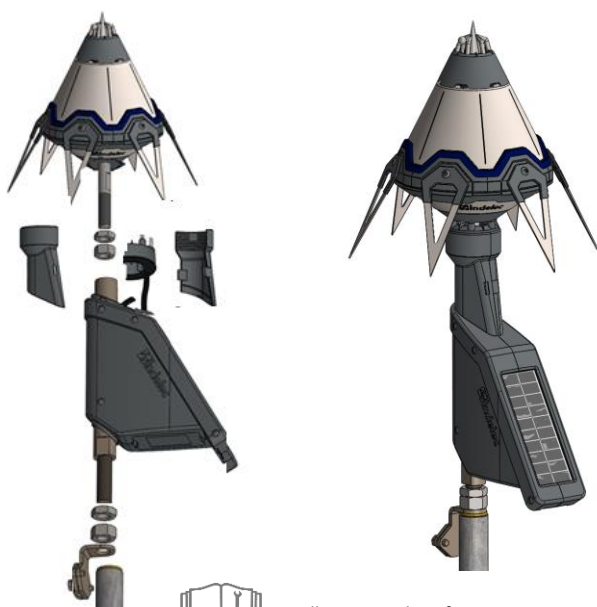
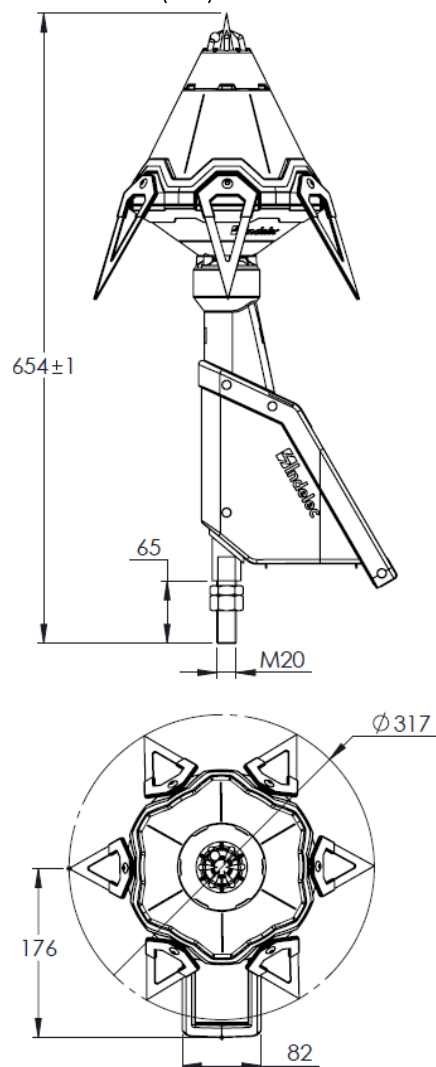
# Prevectron 3<sup>®</sup> S60T

## REMOTE-TESTING

### EARLY STEAMER EMISSION AIR TERMINAL (ESE)

Reference	P1543T
Fixing on pole	M20 Thread
Down-conductor clamp	Proprietary clamp included
<b>Packing</b>	
Dimensions	485 x 262 x 435 mm
Gross Weight	8.550 kg
<b>Warranty</b>	
Warranty (excluding Remote testing module battery)	5 years
<b>Certificates - Standards</b>	
NF C 17 102:2011, Annex C	Bureau Veritas certificate N°6275241/2/1/1
Qualifoudre	Ineris certificate N° N°051166662001
CE Marking	Declaration of Conformity N°IND-CE-21092015-A (Prevectron <sup>®</sup> 3 Lightning conductor)
Underwriter Laboratories (UL)	UL Certified E478687 (Prevectron <sup>®</sup> 3 Lightning conductor)
Eco Label	AFAQ N°1335.2 11/2014 Certificate
ISO 9001 : 2015 (Quality System)	Bureau Veritas certificate

Dimensions (mm)



Installation Guide ref. C3839



Accessory (not included)  
Testing Remote Control réf P1591



DOC270a\_VEN-Rev2

