

PREVECTRON 3[®] S50 CONNECT

EARLY STREAMER EMISSION AIR TERMINAL (ESE)

IoT CONNECTED

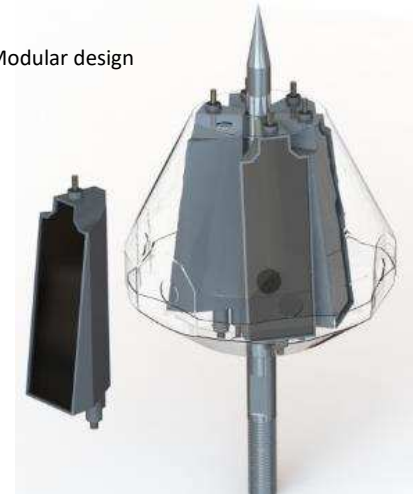
Reference	P1533C	
Prevectron 3[®] Early Streamer Emission Technical Specifications		
Efficiency	ΔT	50 μs
Standard deviation ESE / Single Rod	σ	$\sigma_{PDA} < 0.53 \sigma_{PTS}$
Lightning current withstanding test (10/350 μs)	I_{imp}	100kA (normative test)
Max. current withstanding test	I_{max}	230 kA (Unicamp)
Detection of downward leader	Continuous measuring of electric field gradient ($\Delta E/\Delta t$)	
Upward streamer development conditions	Patented OPTIMAX [®] technology optimizing the streamer development conditions	
Upward streamer emission	Sparking by High Voltage Impulses	
Internal circuits	4 independent and synchronised modules	
Central rod	Full electrical continuity 200mm ² section – Nickel plated Copper	
Metal housing	Stainless Steel 316, Electromagnetic shielding	
Maintenance	Replaceable modules (factory)	

PREVECTRON 3[®] S50 CONNECT



Prevectron 3[®] Connect Module Technical Specifications	
Prevectron [®] 3 Connect remote information	via www.indelec-connect.com : -ESE Lightning rod status -battery level -GSM signal quality
Communication	GSM/GPRS Quad-Band compatible 2G and above
Power Supply	High Performance LiFePo ₄ Battery 3 200mA.h – 3.2V
Battery Charge	Monocrystalline Glass-coated Solar panel
Lightning Strike Counter	Integrated Type 1 Lightning Strike Counter Patented contactless counting technology $I_{imp\ min} = 2kA$ $I_{imp\ max} = 100kA$
Module central rod	Full electrical continuity 200mm ² section – Nickel plated Copper
Module / Prevectron [®] 3 connection	Fast Connect Technology Plug-in system
Maintenance	Battery Replacement Kit ref. P1599

Modular design



CONNECT MODULE



DOC284a.VEN-Rev1

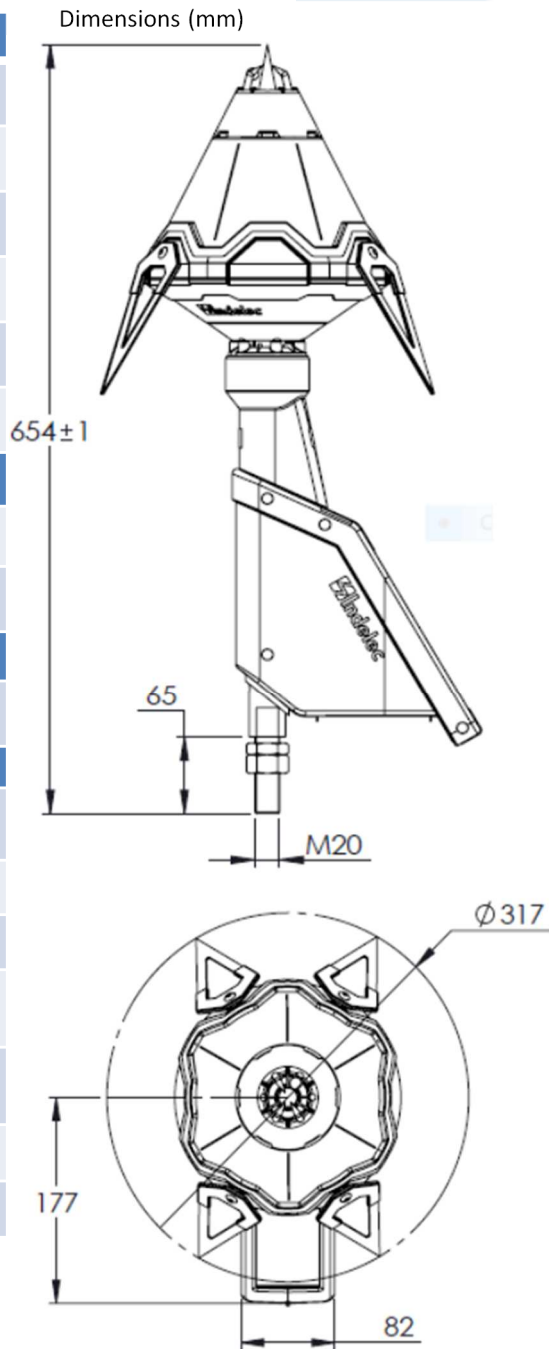


PREVECTRON 3[®] S50 CONNECT

EARLY STREAMER EMISSION AIR TERMINAL (ESE)

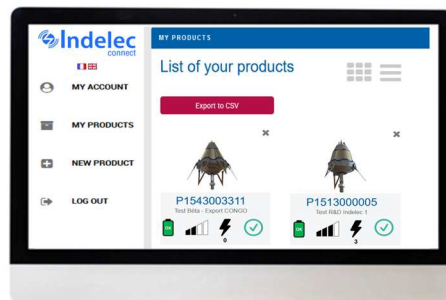
IoT CONNECTED

Operating Temperature range		-15°C to + 55°C
Relative Humidity		0% HR to 100% HR
Max. Operating Altitude		4000 m HASL (Height Above Sea Level)
Ingress Protection		IP 54
Fixing on pole		M20 Thread
Down-conductor clamp		Proprietary clamp included
Packing		
Dimensions		485 x 260 x 429 mm
Gross Weight		8.050 kg
Warranty		
Warranty (excluding battery)		5 years
Certifications - Standard		
Prevectron[®]3 Lightning Rod		NF C 17 102:2011, Annexe C Bureau Veritas Certificate N°6275241/2/1/2
Lightning Strike Counter		NF EN 62 561-6:2018 Edition 2
Qualifoudre		Ineris Certificate N° N°051166662001
CE Marking		Attestation N°IND-CE-21092015-B (Prevectron 3) Attestation N°IND-CE-16122020 (Module Connect)
Underwriter Laboratories (UL)		UL Certified E478687 (Prevectron [®] 3 Lightning rod)
Eco Label		Certificate AFAQ N°1335.2 11/2014
ISO 9001 : 2015		Bureau Veritas Certificate



Installation and user guide
ref. C4207A

PREVECTRON 3[®] S50 CONNECT



www.indelec-connect.com

DOC284a.VEN-Rev1

