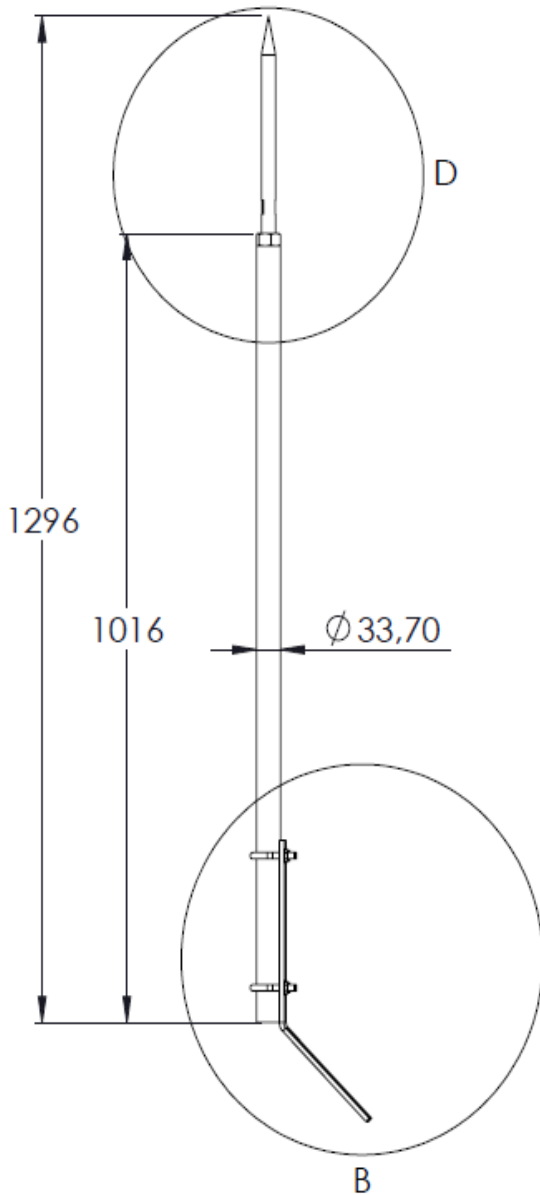


# Stainless Steel Air Rod Special Chimney

Characteristics	P1041C
Material	Stainless steel
Weight (Kg)	3.460
Connection	With a connecting clamp ( included)
Application	Protection of industrial chimney
Standard	EN 62561-2

## Dimensions (mm)



## Application

