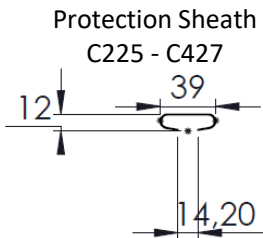


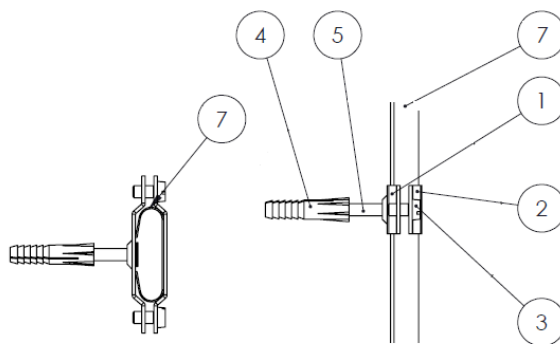
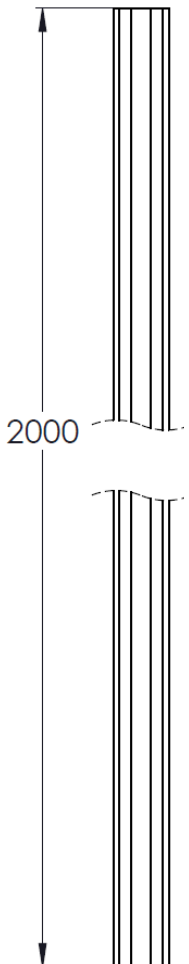
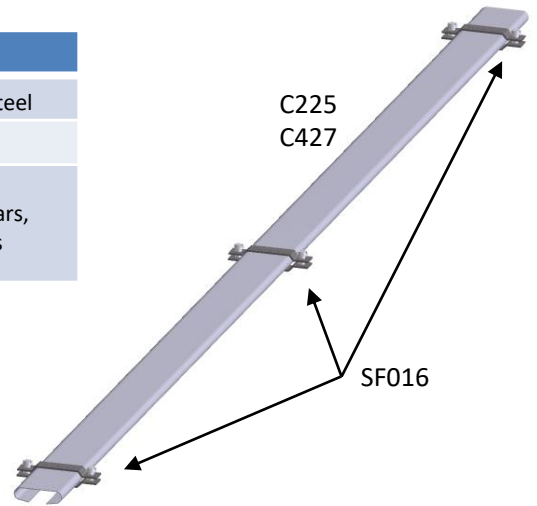
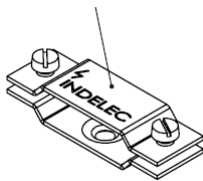
Protection Sheath for Tape Conductor

Characteristics	C225	C427	SF016
Material	Galvanized steel	Stainless Steel	Stainless Steel
Weight (kg)	0.935	0.935	0.125
Application	Ensures the down conductor is physically shielded from knocks at ground level.		Fixing collars, 3 pieces

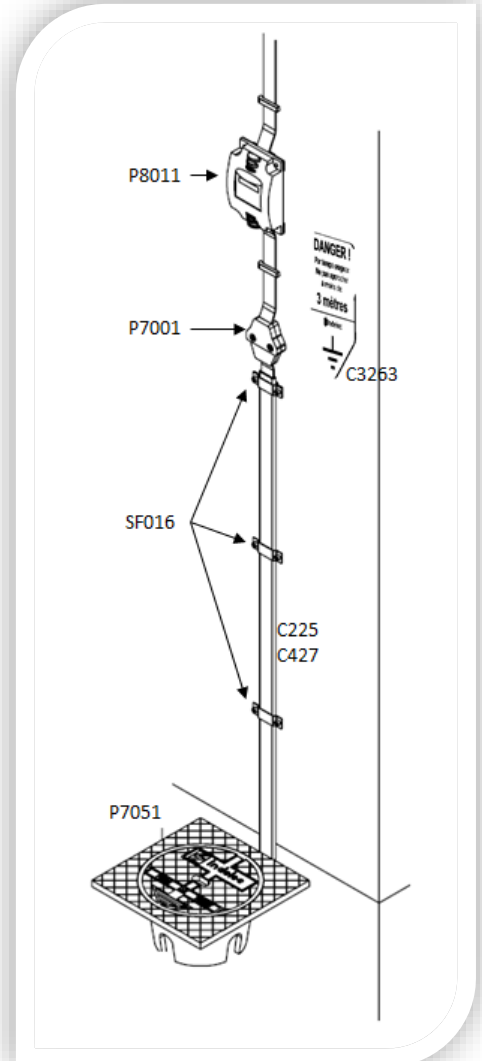
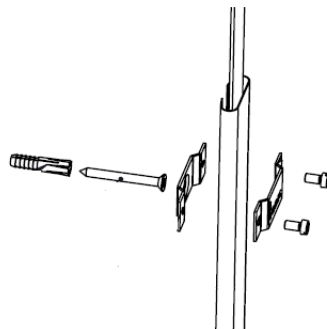
Dimensions (mm)



Collars (x3)
SF 016



	DESCRIPTION
1	Embase Collier de Gaine P7013
2	Couvercle collier de gaine P7013
3	Vis inox TCF M5x10 - DIN84
4	CHEVILLE Polyet. 8X35 - Verte
5	VIS INOX A2 - TF POZI - M 5X50 - AGGLO
7	GAINE - L2000MM



Application

DOC136a.VEN-Rev0

