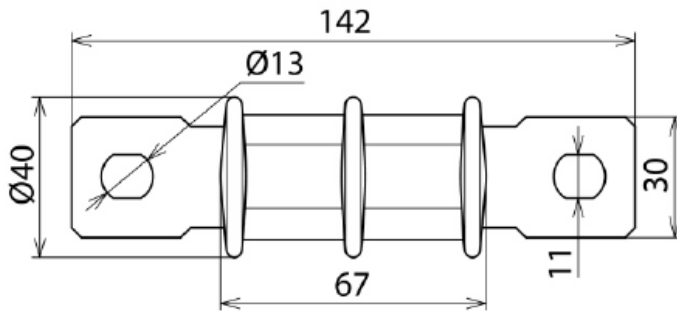


Protective Spark Gap

Characteristics	P8760
Application	For indirect connection of a roof pole to the external lightning protection system
Sparkover voltage	≈ 10 kV
Nominal discharge current (8/20μs)	25 kA
Material (connection)	Stainless steel
Protection class	IP 54
Weight	0.175 kg



Dimensions (mm)



Circuit diagram

