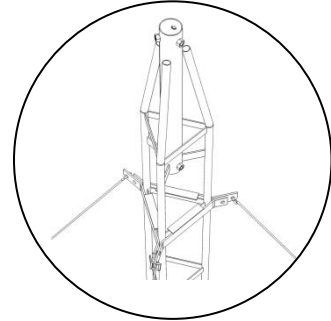


PH23 Guyed Towers

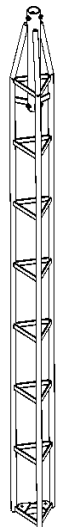
Made from dip-galvanized steel, and designed to receive guy wires, these towers come in 3 m sections, 23 cm wide. The sections are M12 bolted (included) together at the joints and the base can be supplied either with a spike or a flat base section for ground mounting.

Guy wires are needed every 3 or 6 m on three guy anchors fixed at ground level at a distance from the base equal to half the height of the tower.

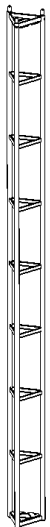
A lightning rod fixing pole can be installed at the top of the tower (Ref P2001B).



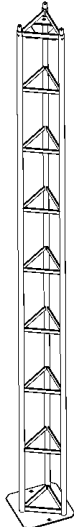
Designation	Ref.	Height	Weight
Upper section	P2070	3 m	12 kg
Mid section	P2071	3 m	10 kg
Base section with spike	P2072	3 m	12 kg
Flat base section	P2073	3 m	12 kg
Stainless steel cable Ø2,4mm –100m coil	P2074	-	2.4 kg
Tensioning kit: 1 turnbuckle, 2 thimbles, 4 steel wire clamps	P2075	-	-
3 guy wires anchor	P2076	-	3 kg
6 guy wires anchor	P2077	-	6 kg
3 guy wires anchor – for roof terrace	P2088	-	3 kg
6 guy wires anchor – for roof terrace	P2089	- <td 6 kg	
Triangle for guy wires fixing	P2082	-	-



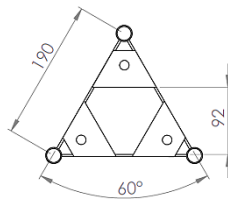
P2070



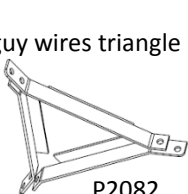
P2071



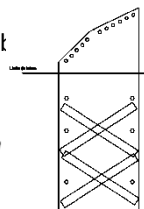
P2073



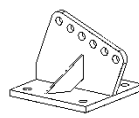
Accessory : guy wires triangle t



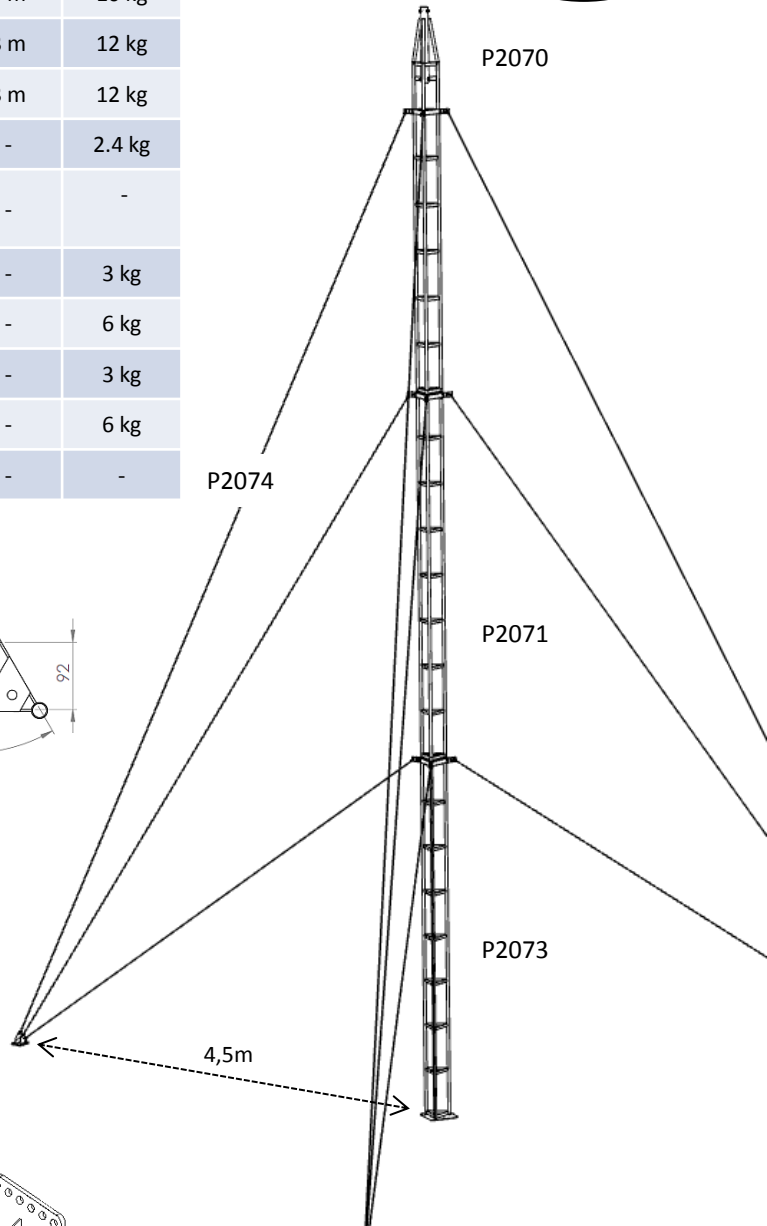
P2082



P2077



P2089



Mounting: 9m tower with guy wires

DOC175a.VEN-Rev1

