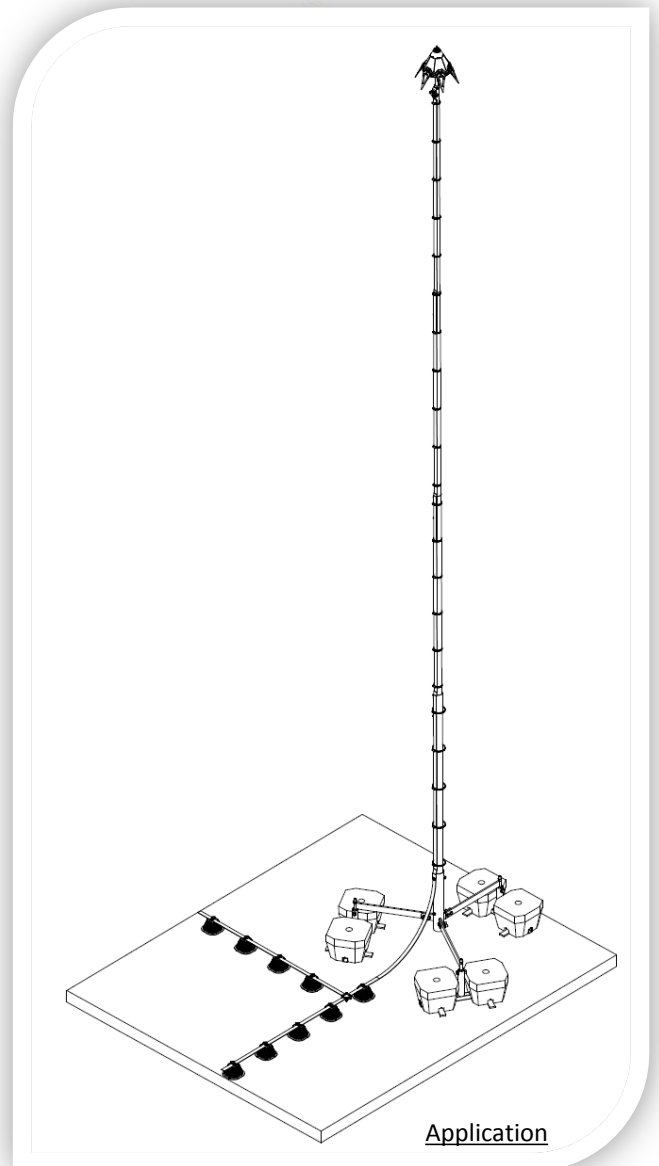
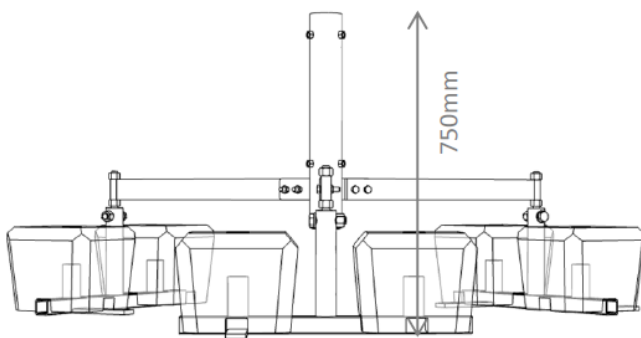
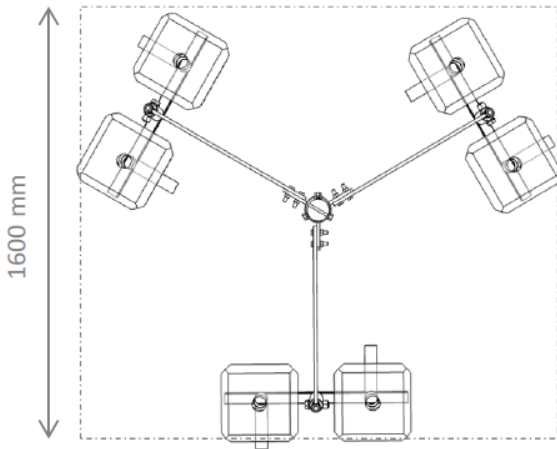


Mast Self-Standing Tripod Base

Characteristics	C3678
Material	Galvanized steel
Weight (kg)	25.000 (without concrete bloc)
Ø max of mast(mm)	65
Fixing	By 6 concrete blocks (25 kg not provided)
Tilt	Up to 10°
Application	Fixing a lighting mast on a flat roof without the need of guying wire



Dimensions (mm)



DOC148a_VEN-Rev1

