

# PREVECTRON® 3 S50

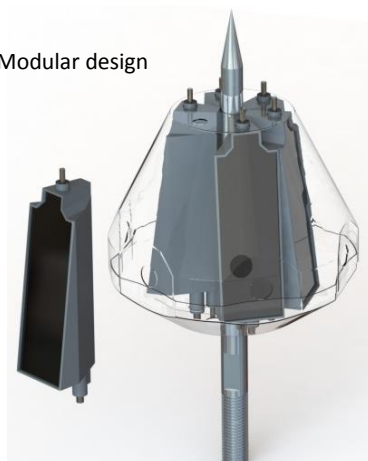
## EARLY STEAMER EMISSION AIR TERMINAL (ESE)

Reference	P1533	
<b>Characteristics</b>		
Efficiency	$\Delta T$	50 $\mu s$
Standard deviation ESE / Single Rod	$\sigma$	$\sigma_{PDA} < 0.53 \sigma_{PTS}$
Lightning current withstanding test (10/350 $\mu s$ )	$I_{imp}$	100kA (normative test)
Max. current withstanding test	$I_{max}$	200 kA (Unicamp)
Net Weight	P	3.300 kg
<b>Operating principles</b>		
Detection of download leader	Continuous measuring of electric field gradient ( $\Delta E/\Delta t$ )	
Upward streamer development conditions	Patented OPTIMAX® technology optimizing the streamer development conditions	
Upward streamer emission	Sparking by High Voltage Impulses	
Internal circuits	4 independent and synchronised modules	
Central rod	Full electrical continuity 200mm <sup>2</sup> section – Nickel plated Copper	
Metal housing	Stainless Steel 316, Electromagnetic shielding	
On-site testing capabilities	Proprietary tester	
Maintenance	Replaceable modules	
Warranty	5 years	
<b>Mechanical specifications</b>		
Fixing on pole	M20 Thread	
Down conductor connection	Specific clamp ref P6500 (included)	
<b>Packaging</b>		
Dimensions	438 x 228 x 220 mm	
Contents	Prevectron®3, Down conductor clamp, Hex key	
Gross Weight	5.050 kg	
Environmental sustainability	100% recyclable	
<b>Certifications</b>		
NF C 17 102:2011, Annex C	Bureau Veritas certificate N°6275241/2/1/2	
Qualifoudre	Ineris certificate N° N°051166662001	
ISO 9001 : 2015 (Quality System)	Bureau Veritas certificate	
CE Marking	Declaration of conformity N°IND-CE-21092015-B	
Underwriter Laboratories (UL)	UL Certified E478687	
Rostechnadzor (RTN Russia)	N° RRS 00-05003	
Eco -label	AFAQ N°1335.2 11/2014 Certificate	

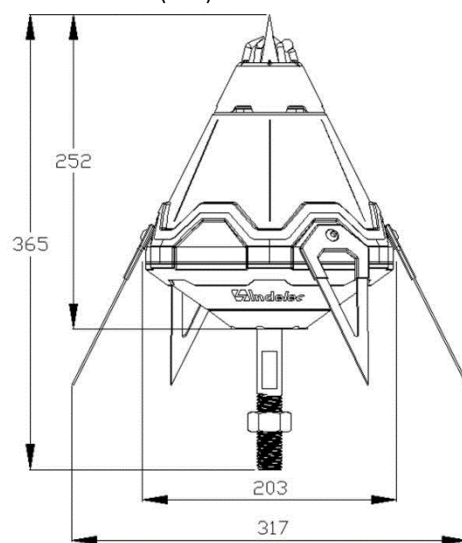
PREVECTRON 3® S50



Modular design



Dimensions (mm)



DOC168a.VEN-Rev0

