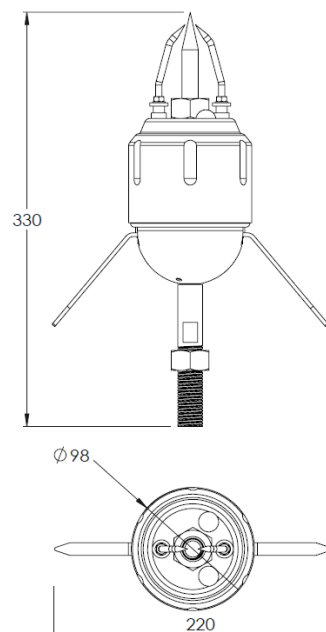


PREVECTRON® 2 TS2.10 HERITAGE BUILDING EARLY STEAMER EMISSION AIR TERMINAL (ESE)

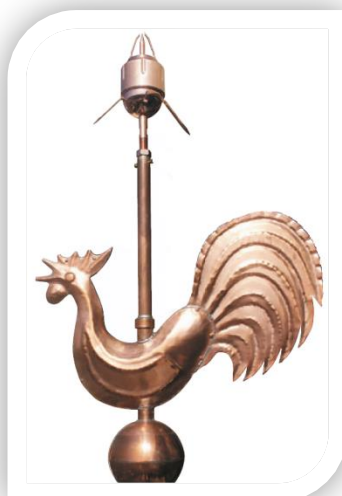
Reference	P1207	
Characteristics		
Efficiency	ΔT	10 μs
Standard deviation ESE / Single Rod	σ	$\sigma_{PDA} < 0.6 \sigma_{PTS}$
Lightning current withstanding test (10/350 μs)	I_{imp}	100kA (normative test)
Net Weight	P	2.182 kg
Operating principles		
Detection of download leader	Continuous measuring of electric field gradient ($\Delta E/\Delta t$)	
Upward streamer emission	Sparking by High Voltage Impulses	
Internal circuits	2 independent and redundant circuits	
Central rod	Full electrical continuity 200mm ² section – Nickel plated Copper	
Metal housing	Stainless Steel, Electromagnetic shielding	
On-site testing capabilities	Proprietary tester	
Maintenance	Replaceable modules	
Warranty	18 months	
Mechanical specifications		
Fixing on pole	M20 Thread	
Down conductor connection	Specific clamp ref P6500 (included)	
Packaging		
Dimensions	438 x 228 x 220 mm	
Contents	Prevectron®3, Down conductor clamp, Hex key	
Gross Weight	3.116 kg	
Certifications		
NF C 17 102:2011, Annex C	Bureau Veritas certificate N°2513661/1/4	
Qualifoudre	Ineris certificate N° N°051166662001	
ISO 9001 : 2015 (Quality System)	Bureau Veritas certificate	



Dimensions (mm)



Tester P1290C



Application

Prevectron2 MH on copper Ornament
Cock « Louis » ref. P10.014