

7.40m Windsock Mast



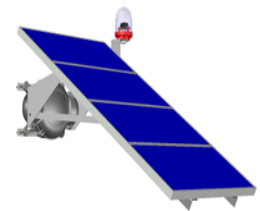
Wind vane in stainless steel

Obstruction light LEDs



Windsock internal lighting
6.6A/110-240V/12V (Solar)

Solar power supply



Description:

The STNA mast is our ICAO compliant one. This tipping mast measure 7,40 meters, equipped with 3 braces.

The standard wind vane are 60 cm or 100 cm diameter, others diameters are also available.

In option, the mast can be manufactured in stainless. A dedicated piece could be added for frangibility.

Several accessories are available, windsock internal lighting or top mast beaconing with solar or direct power supply (110-240V / 6.6A).

Models

Model	Designation	Wind vane diameter
STNABG60	STNA Mast	60 cm
STNABG100	STNA Mast	100 cm
STNABG60E2L	STNA Mast + windsock internal lighting 230V	60 cm
STNABG100E2L	STNA Mast + windsock internal lighting 230V	100 cm
STNABG60E6	STNA Mast + windsock internal lighting 6.6A	60 cm
STNABGE6	STNA Mast + windsock internal lighting 6.6A	100 cm
LBIA-HMA-6.6A	Low Intensity Light Type A Top Mast Beaconing 6.6A	-
LBIA-HMA-A230	Low Intensity Light Type A Top Mast Beaconing 230V	-

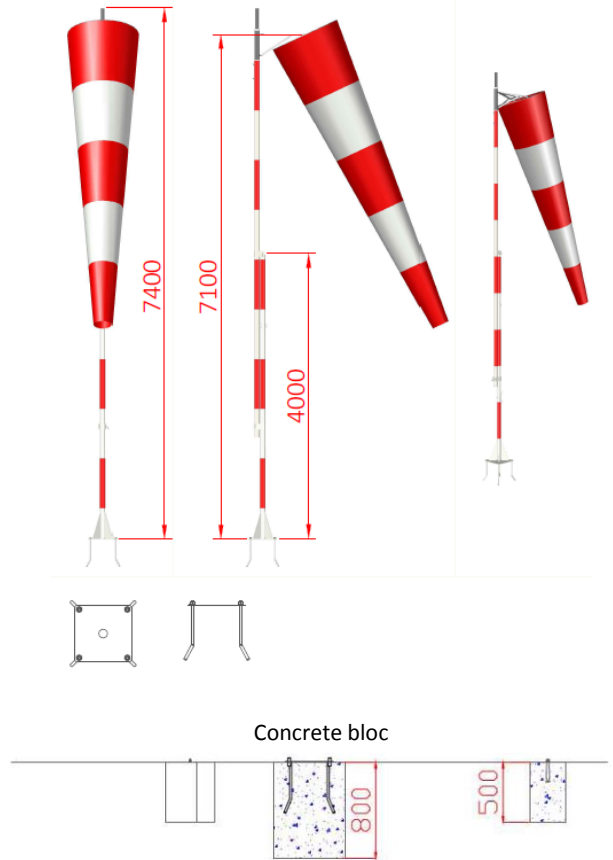


7.40m Windsock Mast

Characteristics

Mechanicals	
Height	7.40 meters
Tiltable part	Integrated
Protection	Galvanized steel
Paint	Red and white
Fixation	Plate of sealing (included)
Wind vane	Diameter 60
Braces	3 x 120 cm
Concrete block	600 x 600 x 800 mm
Environment	
Humidity	100%
Frost	-60°C
Wind speed	240 Km/h
Certifications	
CE	EN60947-1 CEI60364, NF C 15-100 EN60529
ICAO	Annex 14, Volume I, Chapter 6
Quality	ISO 9001 ; 2008
Warranty	1 year
Options	
	Windsock internal lighting
	Top mast beaconing
	Frangibility of the mast
	Stainless steel manufacture
	Solar power supply

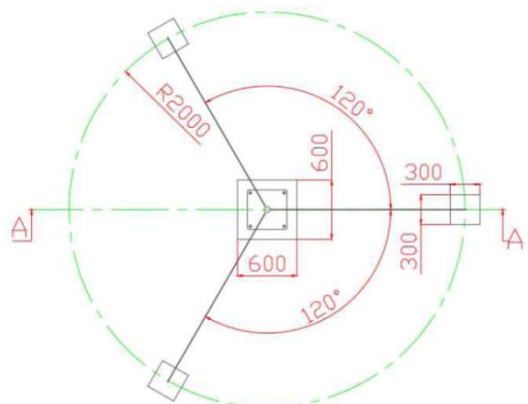
Dimensions :



Characteristics option top mast beaconing :

Luminous	
Luminous source	LEDs
Colour	Red
Horizontal beam	360°
Vertical beam	10°
Luminous intensity	>10 Cd
MTBF	100 000 Hours
Electrics	
Voltage	6.6A/230V/12V (solar)
Lightning protection	Integrated
Functioning temperature	-55°C up to +55°C
Consumption	<3 Watts
Protection class	IP66

Braces disposition



Available accessories for installation

- Windstock
- Solar kit