

Low Intensity LED SOLBIA Type A > 10 Cd – Solar TWINY



Description:

Le SOLBIA TWINY is an environmentally friendly system, equipped with the exclusive redundant system.

For security installation, its automatic test is launched every day. Dedicated to an autonomous night beaconing, it is long life system (100 000 hours), more than 80 hour autonomy system.

The SOLBIA TWINY is also available with a 110-240V input as back-up power supply.

Le SOLBIA TWINY is provided with photocell for an automatic switch ON/OFF and a dry contact for failure alarm.

The specific design of the box is the most convenient solution on the market for installation: mounting frame is a part of the box and it could be adjusted in vertical or horizontal position.

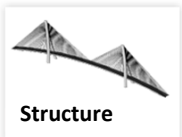
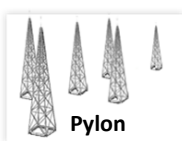
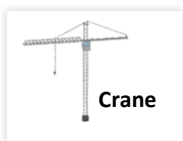
Advantages :

- Long life time > 10 years
- Multi – LEDs
- Independant
- Lightning protection
- Delta Box exclusive self-test included with photocell
- Power saving
- 2 years warrant
- Zamac box with epoxy powder painting

Regulations:

- OACI, STAC N° 2010A012
- CE

Scope of application:



-Applications :

Rules concerning aircraft beaconing are established by the ICAO

Low intensity beacons can be installed on structures up to 45 meters high.

The SOLEO gives security to every sites, even the most isolated.

Models

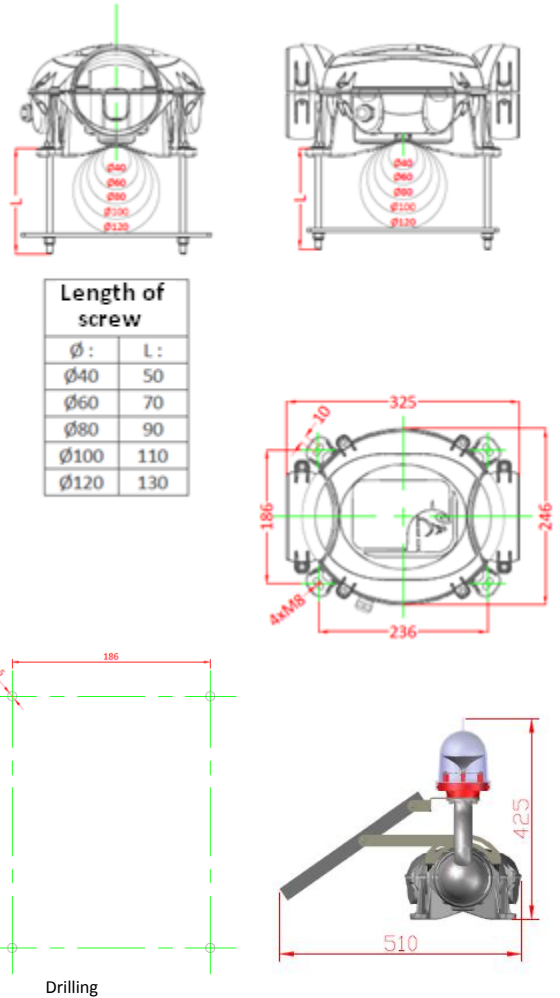
Model	Voltage	Photocell	Dry contact
SOLBIATW	Solar	Included	Included

Low Intensity LED SOLBIA Type A > 10 Cd – Solar TWINY

Characteristics

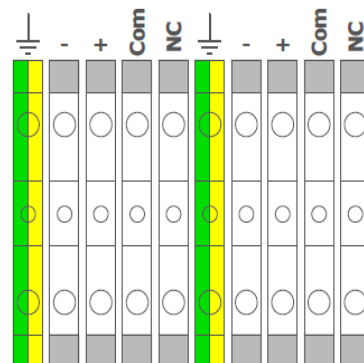
Luminous	
Luminous source	LEDs
Colour	Red
Horizontal beam	360°
Vertical beam	10°
Luminous intensity	>10 Cd
MTBF	100 000 Hours
Electrics	
Voltage	Solar
Lightning protection	Integrated
Functioning temperature	-55°C to +55°C
Solar panel	10 Watts Polycrystallin
Battery	Waterproof lead gel
Autonomy	12V 7Ah x 2
Protection class	IP66
Mechanicals	
Box material	Zamac
Body lamp material	Composite
Lens material	Polycarbonate with bird spike
Mounting	M8 screw
Height	425mm
Weight	<11 Kg
Solar panel dimensions	300mm x 385mm
Environment	
Humidity	100%
Frost	-60°C
Wind speed	240 Km/h
Certifications	
CE	EN60947-1 CEI60364, NF C15-100 EN60529
ICAO	Annexe 14, Volume I, Chapter 6
Quality	ISO 9001 ; 2008
Warranty	2years

Dimensions :



Length of screw	
∅ :	L :
∅40	50
∅60	70
∅80	90
∅100	110
∅120	130

Wiring



Available accessories for installation

-Specific stainless steel mounting