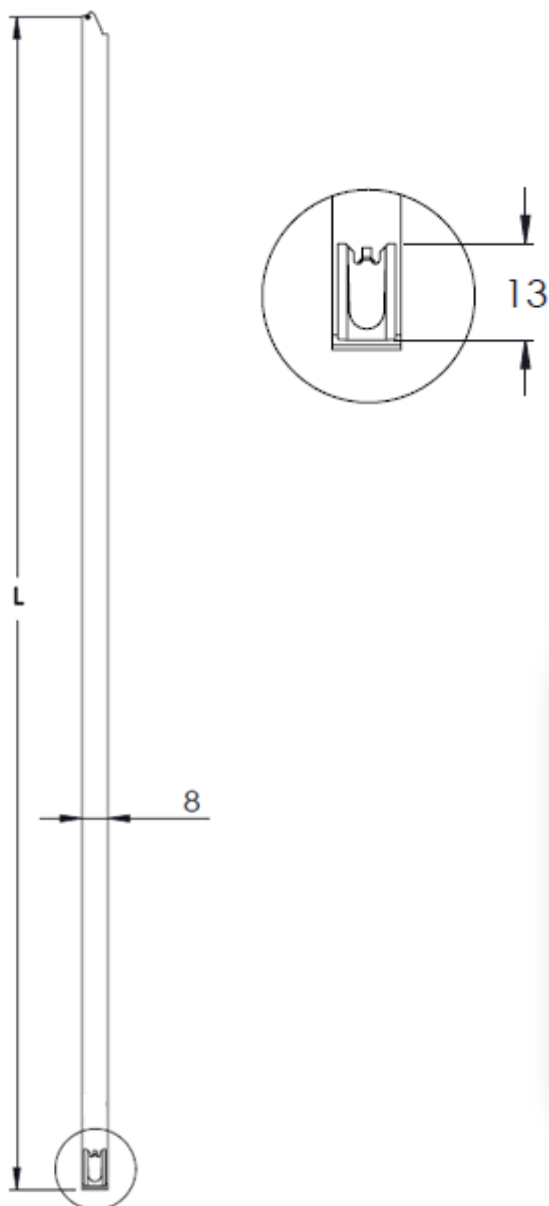


# Stainless Steel Clamping Collar

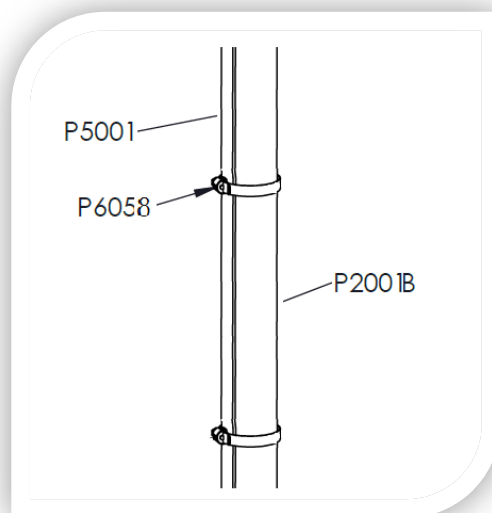
Characteristics	P6058	P6059
Material	Stainless steel	
Lenght (mm)	360	520
Weight (kg)	0.005	0.010
Application	Down Conductor fixing on tube. Self-locking collar which is permanently tightened around its support thanks dedicated pliers (ref P6060)	
Ø max (mm)	100	150
Normes	EN 62561-4	



## Dimensions (mm)



Collar Pliers ref. P6060



Application

DOC200a.VEN-Rev0

