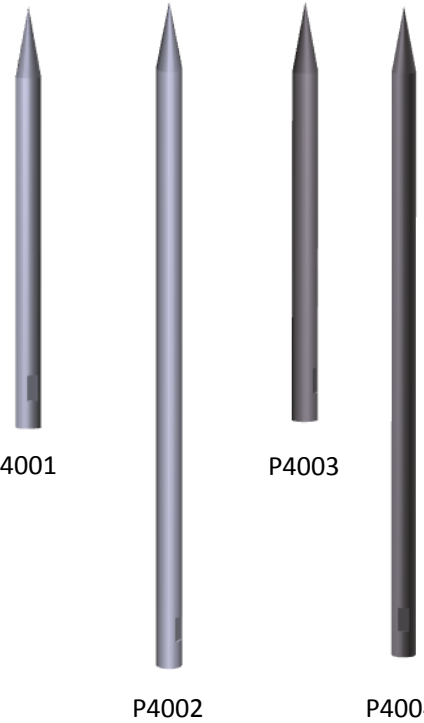
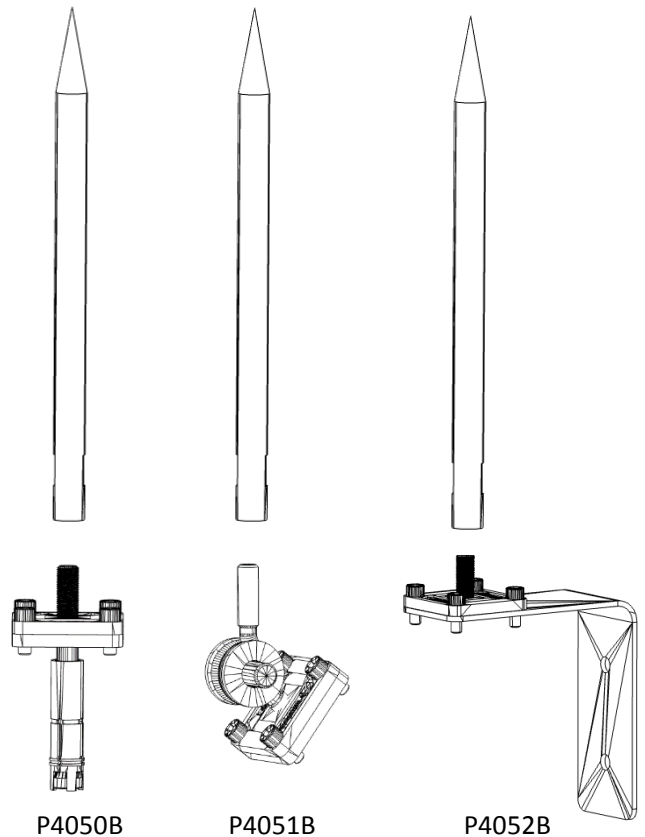
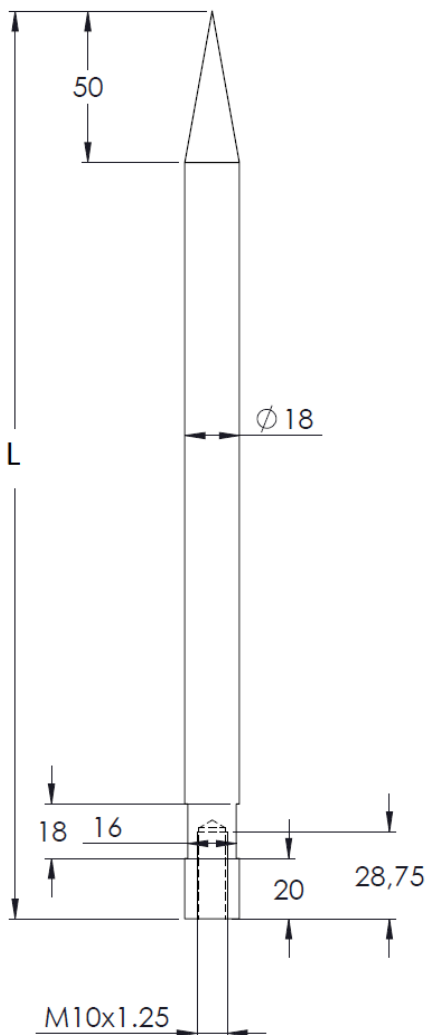


Tapped Air Rod

Characteristics	P4001	P4002	P4003	P4004
Material	Chromium plated copper		Stainless steel	
Weight (kg)	0.585	1.035	0.520	0.920
Diameter (mm)	18	18	18	18
Length (mm)	300	500	300	500
Fixing	Air rod base (P4050B, P4060), Angle saddle(P4051B, P4061B) or pivot saddle(P4052B)			
Standard	EN 62561-2			



Dimensions (mm)



DOC184a.VEN-Rev0

