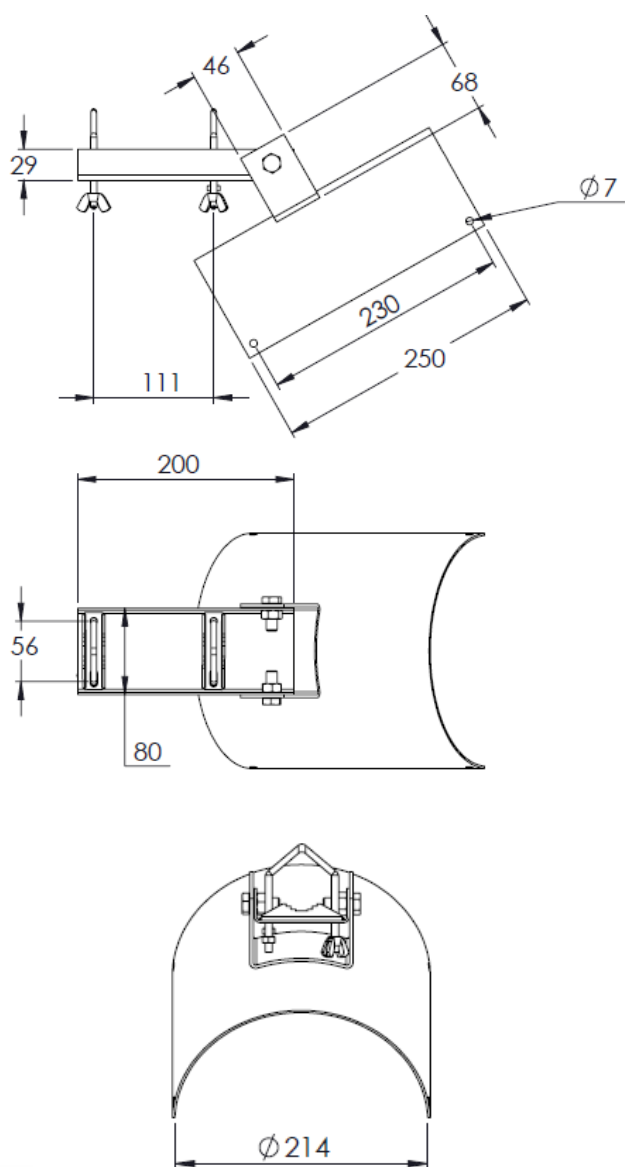


Pivoting Base

Characteristics	P3081
Material	Dichromate steel
Weight (kg)	2.055
Ø max (mm)	50
Application	Withstanding elevation mast on roof ridge (in complement of guy wiring)



Dimensions (mm)



Application

