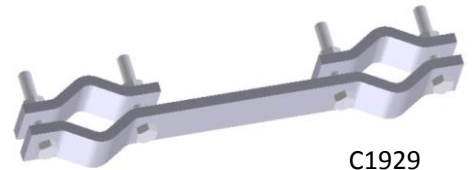


Offset pipe bracket

Characteristic	C1928	C 1929
Material	Galvanized steel	
Weight (kg)	1.230	1.445
Offset(mm)	140	240
Length L1 (mm)	30	130
Length L2 (mm)	250	350
Ø max (mm)	50	50
Fixing	Galvanized steel bolt included	
Application	Fixing a mast on a vertical structure	

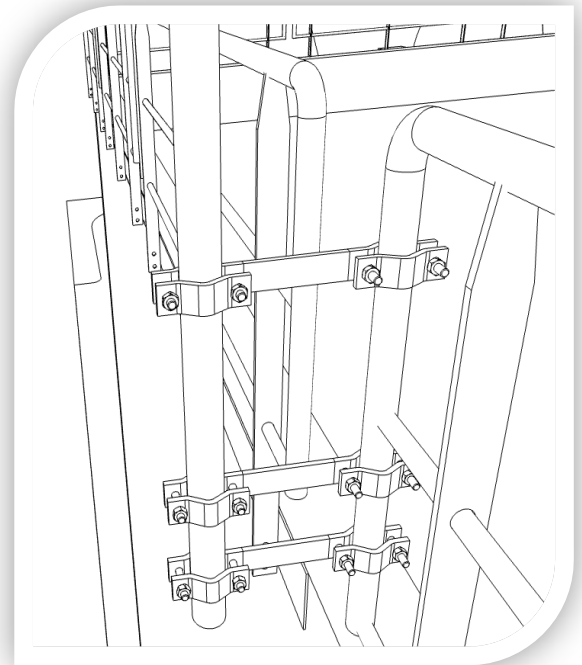
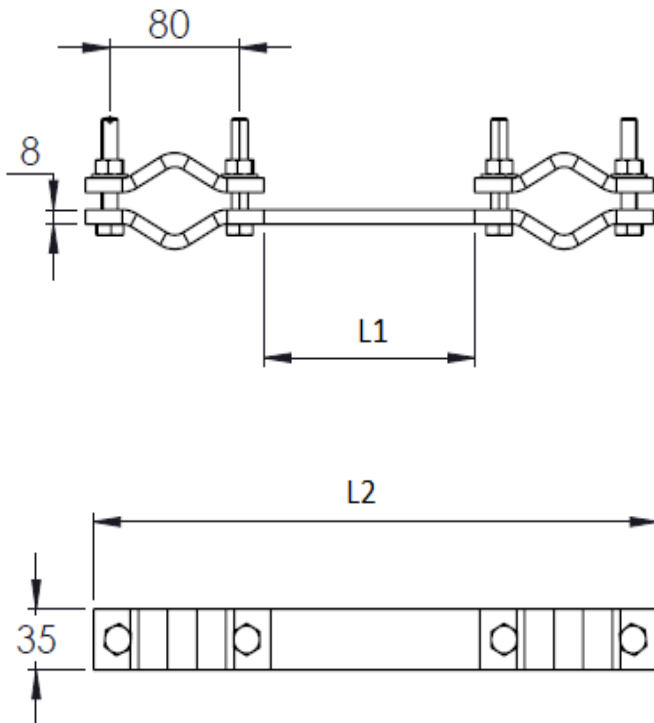


C1928



C1929

Dimensions (mm)



Application

Mast ≤ 2m : 2 Brackets
Mast > 2m : 3 Brackets

DOC142a.VEN-Rev0

