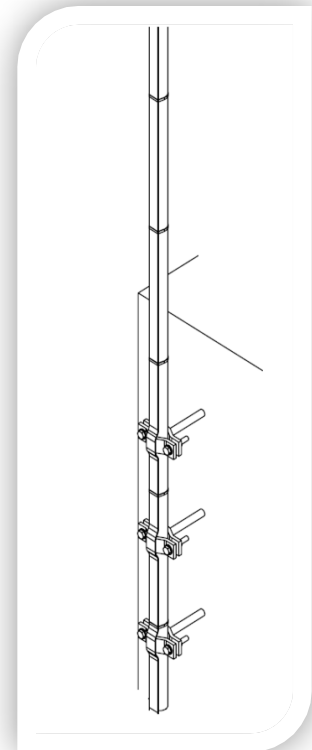
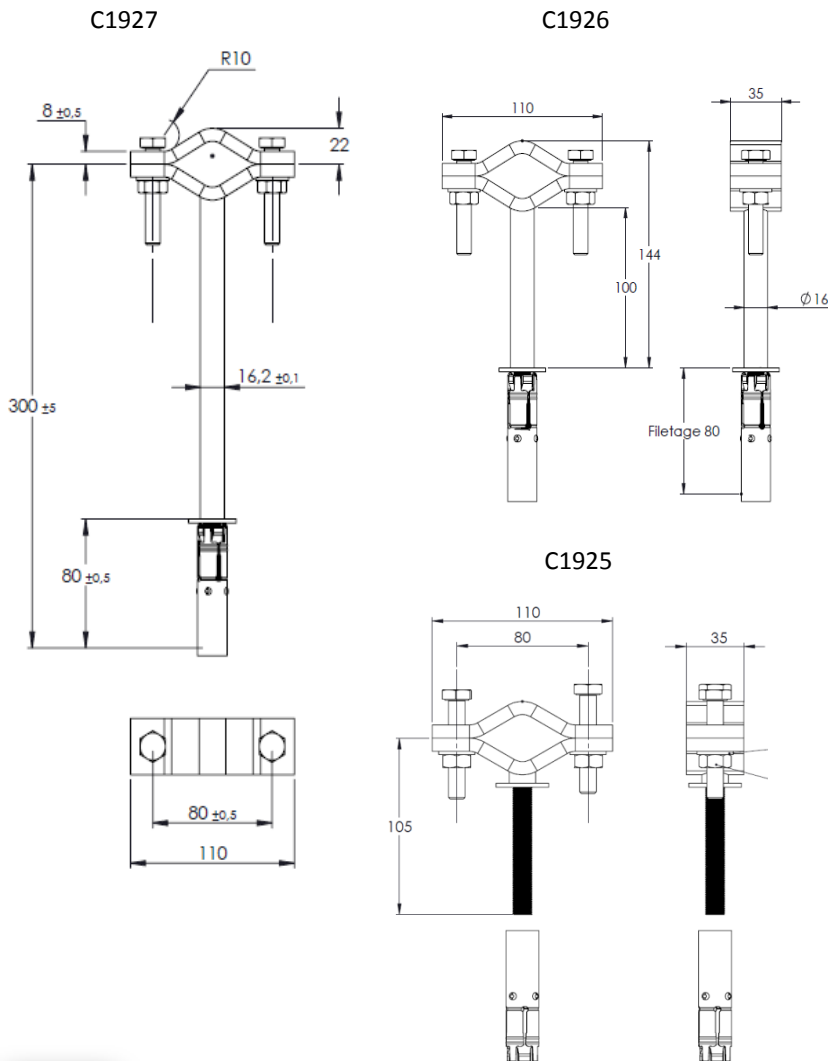


Wall Mounting Brackets

Réf.	C1925	C1926	C1927
Offset L (mm)	aucun	100 mm	200 mm
Material	Hot galvanized steel		
Weight (kg)	0,750	0,900	1,100
Drilling \varnothing (mm)	20		
Max mast \varnothing (mm)	50		
Application	Dip-galvanized steel cast iron plug supplied		
Fixing	Used to fix a pole on a vertical surface		



Dimensions (mm)



Application

Mast \leq 2m : 2 Brackets
 Mast $>$ 2m : 3 Brackets

DOC141a.VEN-Rev1

