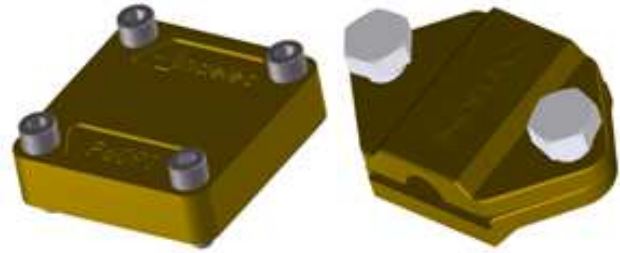


Brass Square Clamp

| Characteristics | P6091C | P6092 |
|-----------------|-------------------------------|---------------|
| Material | Brass | |
| Conductor | Flat | Flat or round |
| Weight (kg) | 0.275 | 0.205 |
| Application | Connection between conductors | |
| Standard | EN 62561-1, Class H | |

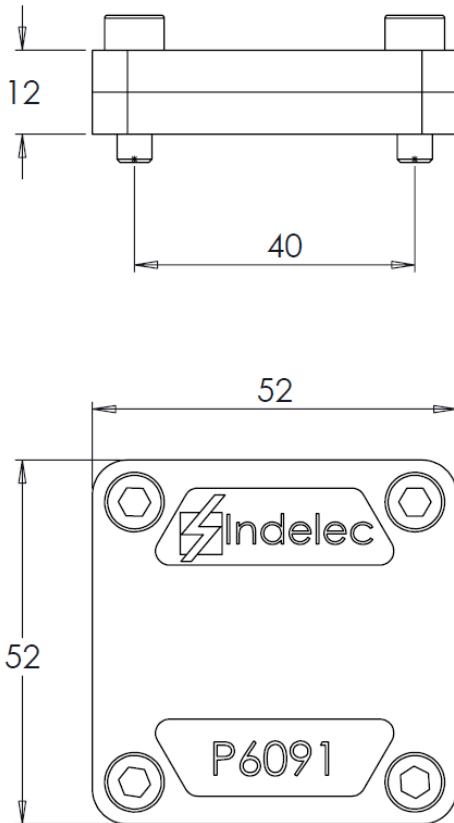


P6091C

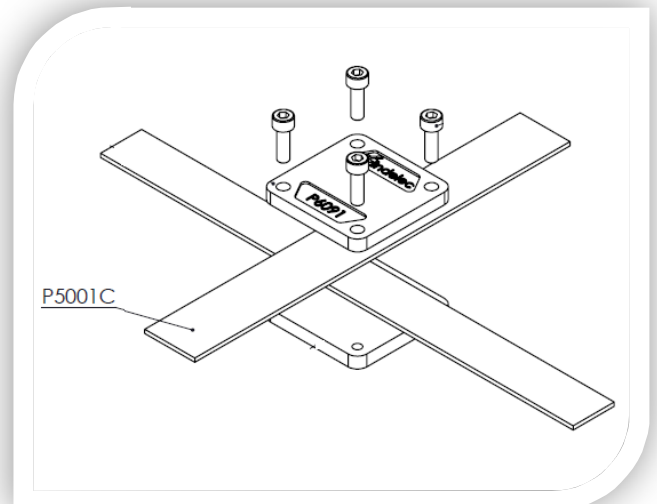
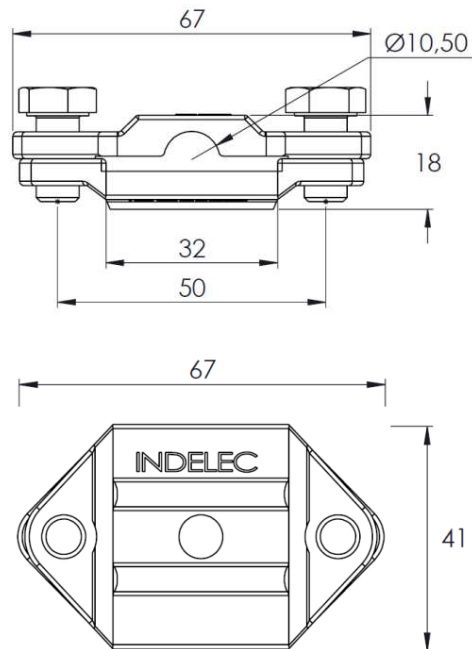
P6092

Dimensions (mm)

P6091C



P6092



Application

DOC205a.VEN-Rev1

